

Teledyne AG Geophysical

Product Selection Guide

INTERCONNECT bulkhead, inline

TRANSDUCERS depth, pressure

FIRING CABLES for small, medium and large sound sources

HYDROPHONES calibrated, uncalibrated

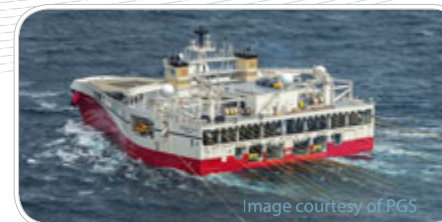


Image courtesy of PGS



TELEDYNE
AG GEOPHYSICAL PRODUCTS
Everywhereyoulook™



is a product line of



Complementary Teledyne Marine Product Lines



Submersible Connectors and Marine Seismic Source Management Systems



Cable Assemblies and Harnesses for Harsh Environments



Erosion/Corrosion Monitoring Pressure and Temperature Sensing



High Pressure/High Temperature Electrical and Optical Interconnect Glass-to-Metal Seal Technology



Harsh Environment Electrical and Optical Interconnect



Subsea Interconnect and Data Networking





Teledyne Marine: RELIABLE POWER TRANSMISSION, DATA TRANSMISSION, NEW PRODUCT DEVELOPMENT AND SENSING SOLUTIONS FOR HARSH ENVIRONMENTS



Teledyne Marine is a growing consortium of premium undersea technology product line organizations assembled by Teledyne Technologies to address the current and future needs of the offshore, oceanographic, and defense markets. Teledyne Marine brings access to these premium technologies and world class support to the oil and gas business, providing beneficial synergies to customers and end users.

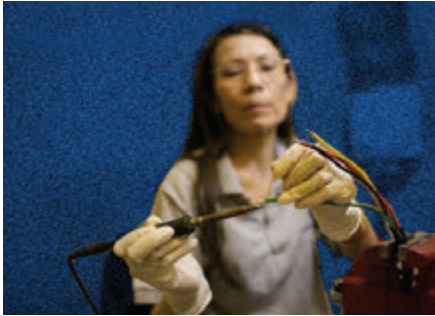
BENEFITS & VALUE

- Health, Safety & Environmental (HSE) culture
- Innovative engineered solutions
- Aerospace levels of reliability
- Materials science & certification expertise
- Instrumentation integration
- Global manufacturing centers
- Rapid response global field support
- Integrated team support: A single purchase order, set of terms & focused contact
- Security of supply

ENGINEERED SOLUTIONS

- Electrical and optical distribution systems
- Power and data transmission networking interconnection systems
- Wellhead feed-through systems
- Corrosion and erosion sensing and monitoring networks
- Turn-key sensor interconnect assembly solutions
- Subsea engineering
- Application-focused new product development with systems and material reliability expertise
- Ruggedized harsh environment cable assemblies
- High pressure, high temperature (HP/HT) penetrations and feed-throughs for differential pressure
- High power connection systems

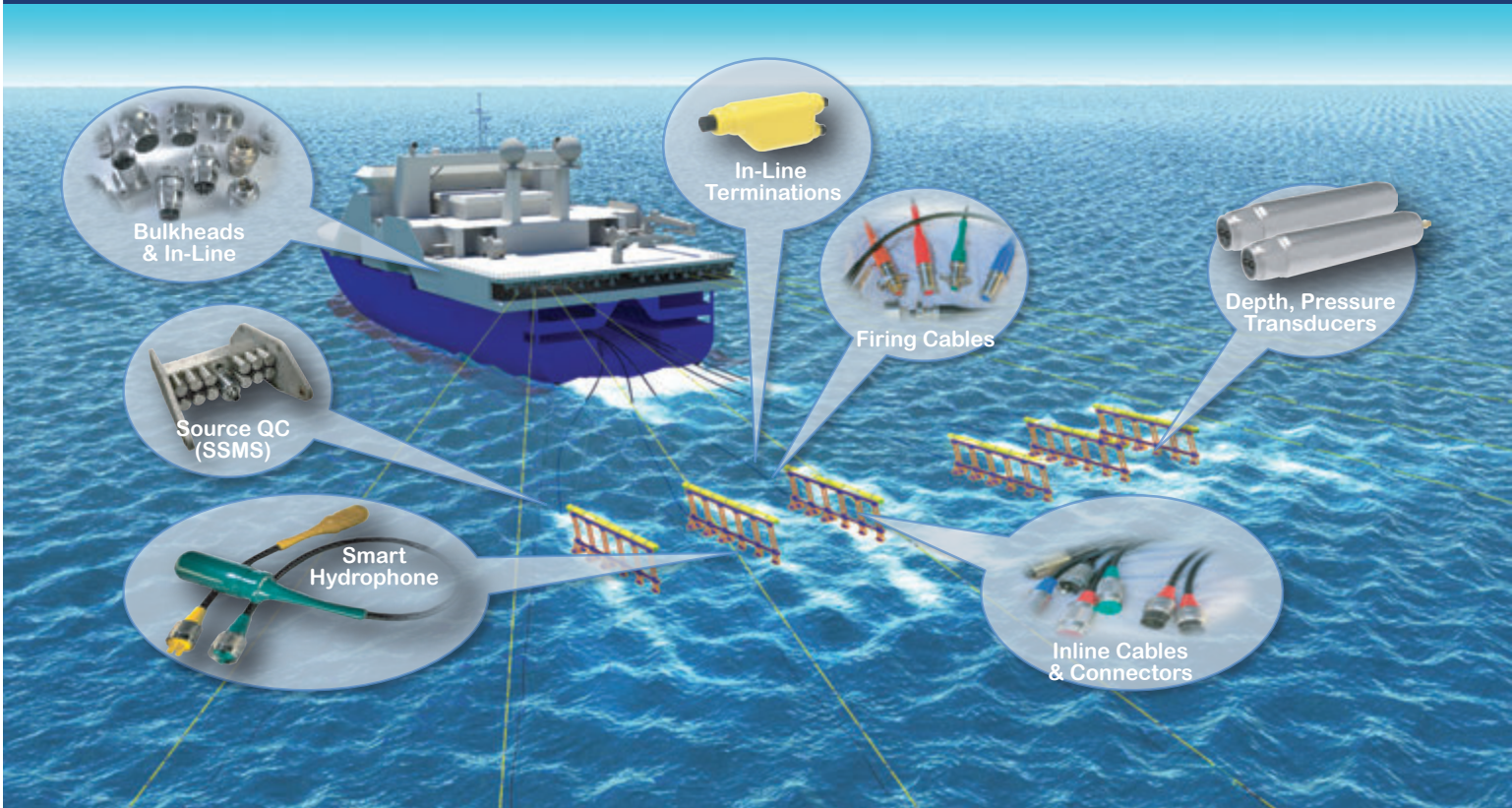
Teledyne AG Geophysical Products: **SUPPLYING MISSION CRITICAL SYSTEMS TO THE OIL & GAS PRODUCTION INDUSTRY**



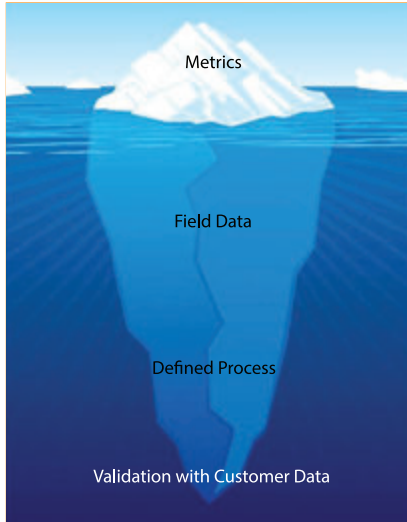
AGG supplies the world's marine seismic fleet with ruggedized submersible connectors and marine seismic source management systems engineered for reliable performance in the harshest of ocean conditions. Precision machining capabilities with proven production and quality processes deliver ruggedized performance survivability in repetitive high shock and shallow water sealing applications in the toughest deployment and retrieval scenarios.

TELEDYNE
AG GEOPHYSICAL PRODUCTS
Everywhereyoulook™

**Marine Seismic Source Management
Components & Systems for Extreme
Environment Survivability**



TMarine Reliability: RELIABILITY PROGRAM



Teledyne Marine products operate in environments that are difficult or impossible to access, meaning that to our customers, having the peace of mind that equipment won't fail is paramount. From the start of product development, through the first deployment, and continuing for the life of the product, reliability is a primary focus at Teledyne Marine.

Having internal metrics is just the tip of the iceberg. Dedicated Reliability Engineers at Teledyne Marine gather and analyze field data from customer deployments and continuously validate the results. This process is what sets Teledyne Marine apart from the rest.

PHYSICS

Depolymerization
(Decrease in Mw)

Molecular Structure Analysis

METALLURGY

Micro Structure Analysis

MATERIALS

Material Testing and Examination

COMPONENTS

Contact Level Stress Analysis

PRODUCTS

Connector Level Accelerated Testing

CUSTOMER SYSTEMS

Reliability Partnerships

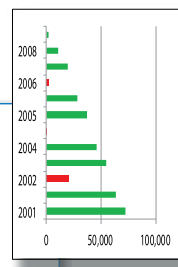
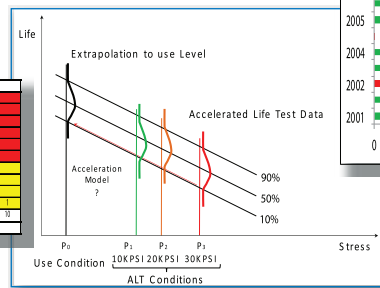
SCIENCE

ENGINEERING

CUSTOMERS

A defined set of tools and processes guide TOG's Reliability Program.

		FAILURE MODES									
		MECHANICAL					ELECTRICAL				
OCCURRENCE	SEVERITY	10	9	8	7	6	10	9	8	7	6
		10	9	8	7	6	5	10	9	8	7
9	8	7	6	5	4	9	8	7	6	5	
8	7	6	5	4	3	8	7	6	5	4	
7	6	5	4	3	2	7	6	5	4	3	
6	5	4	3	2	1	6	5	4	3	2	
5	4	3	2	1	0	5	4	3	2	1	
4	3	2	1	0	0	4	3	2	1	0	
3	2	1	0	0	0	3	2	1	0	0	
2	1	0	0	0	0	2	1	0	0	0	
1	0	0	0	0	0	1	0	0	0	0	
0	0	0	0	0	0	0	0	0	0	0	



- Finite Element Analysis
- Operational Study
- FRACAS – Root Cause Analysis
- Design Validation Testing
- Qualification Testing
- Accelerated Aging
- Reliability Assurance Plan
- FMECA (D, P & O)
- Block Diagram Analysis
- Design of Experiments
- Fault Tree Analysis
- Weibull Analysis

TMarine Quality: **TELEDYNE MARINE IS COMMITTED TO SAFELY PROVIDING PRODUCTS AND SERVICES OF THE HIGHEST INTEGRITY AND RELIABILITY.**



QUALITY ASSURANCE

The Quality System includes the appraisal and assessment of component and part quality using sophisticated measurement systems. The product is manufactured, tested and inspected under the control of a high-level factory management system with full material and operational traceability.





















FACTORY ACCEPTANCE TESTING

Final product acceptance testing includes functioning within simulated operating conditions using computerized data acquisition of pressure profiles and circuit performance measurements. The data is maintained both electronically and on hard copy for availability upon customers' requests.












Table of Contents



Connector colors.....	8
AGM	
Inline	9-11
 Standard <i># of pins: 2, 4</i>	
 Water-Blocked <i>2, 4</i>	
 Dummy Plug <i>2, 4</i>	
Bulkhead	12-16
 NPT <i>2, 4</i>	
 Flangemount <i>2, 4</i>	
 Straight-Thread <i>2, 4</i>	
 Straight-Thread X <i>2, 4</i>	
Recommended Panel Holes	
AGMU	
Inline	17
 Standard <i>2, 4</i>	
AGP	
Inline	18-22
 Standard <i>2, 4, 8</i>	
 Water-Blocked <i>2, 4, 8, 16</i>	
 Dummy Plug <i>2, 4, 8, 16</i>	
Bulkhead	23-32
 NPT: <i>3/4" 2, 4 1" 8 1-1/4" 16</i>	
 Flangemount <i>2, 4, 8</i>	
 Straight-Thread: <i>1-1/16" 2, 4 1-5/16" 8 1-5/8" 16</i>	
 Straight-Thread X: <i>1-1/16" 2, 4 1-5/16" 8</i>	
Recommended Panel Holes	
AGPU	
Inline	33
 Standard <i>2, 4</i>	
AGC COAX	
Inline	34
 50 ohm, 75 ohm	
Bulkhead	35
 50 ohm, 75 ohm	




AGS ENERGY SOURCE

Bolt Air Gun	36-38
 2, 4	
 2, 4	
 4	
Sleeve Air Gun	39-43
 2	
 2	
 2	
 2	
 2	
SSI "G", "GI" Air Gun	44-46
 2	
 2	
 2	










AGH TRANSDUCERS

Depth	47
 2	
Pressure	48
 2	

AGH HYDROPHONES

Direct Coupled, Transformer Coupled	49-51
	
SmartPhone™	52-53
	

AGT TERMINATIONS

Inline	54-59
 Splice	 Double Drop
 Y-Takeout	 Heavy Duty Takeout
 Y-Drop	 Heavy Duty Takeout Round
Terminations	60-62
 Penta	
 7-Out	
 8-Out	

AGC CABLE

Electrical, Coax.....	63
-----------------------	-----------

MISCELLANEOUS

Caps, O-Rings, Washers.....	64-65
Field-Installables.....	66
Lube and Mating Instructions.....	67-68
Standard Specification for AG Connectors.....	69




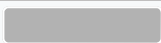
Connector Colors

AG connectors come in a variety of *standard* and *custom* colors.

Standard Colors

	BLACK
	BLUE
	RED
	GREEN
	YELLOW
	ORANGE

Custom Colors

	PURPLE
	GRAY

Connectors are manufactured in the *default* colors listed below, unless a specific color is requested when an order is placed.

Default Colors

	AGM	BLACK
	AGMU	BLACK
	AGP	BLACK
	AGPU	BLACK
*	AGT	BLACK
*	AGH	BLACK
*	AGS	BLUE

* exceptions

AGH 7100T	GREEN
AGH 7500C, 7500X	YELLOW
AGS 6202/4, HD6402, 6632	ORANGE

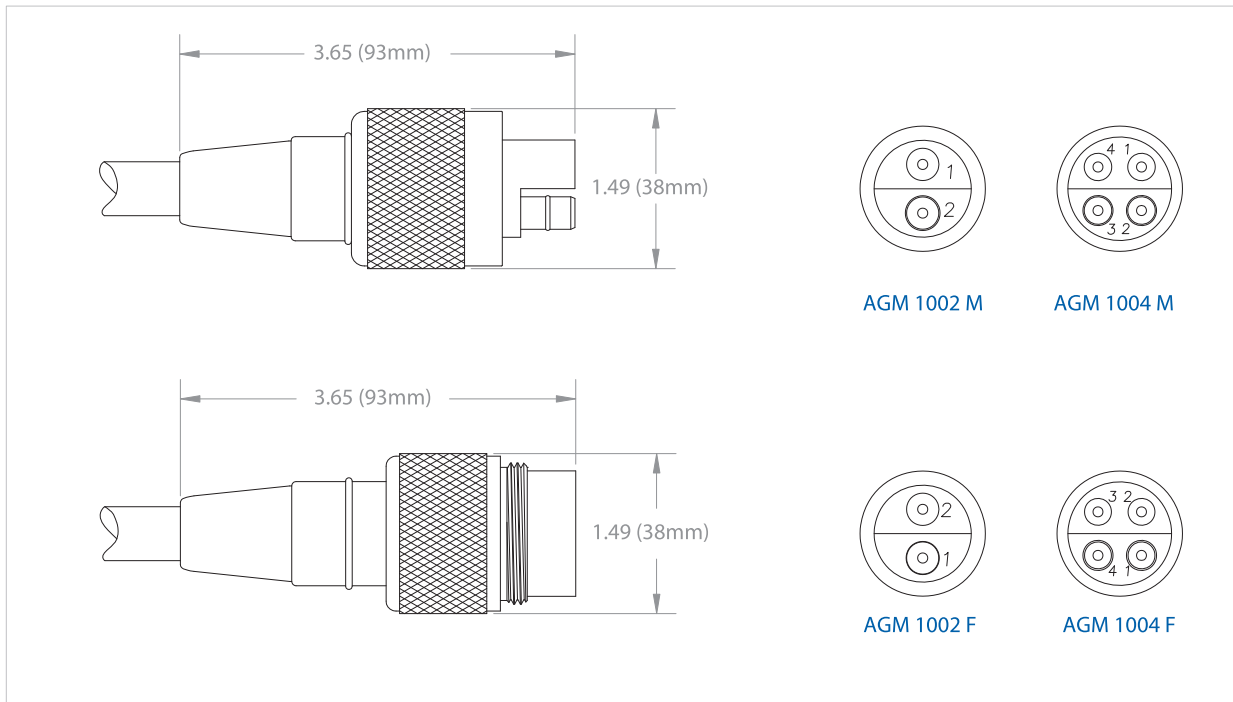




► **1000 Series**

AGM Marine Inline Connectors - Standard

AGM 1002 • AGM 1004

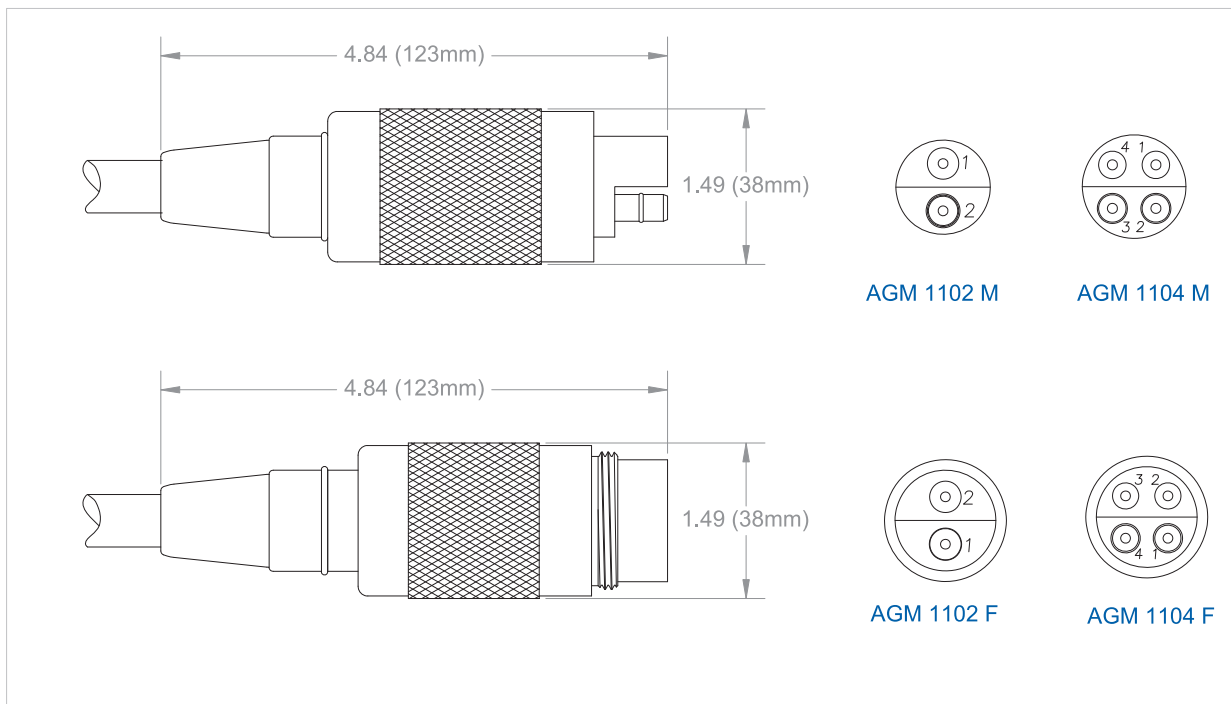




► **1000 Series**

AGM Marine Inline Connectors - Water Blocked

AGM 1102 • AGM 1104

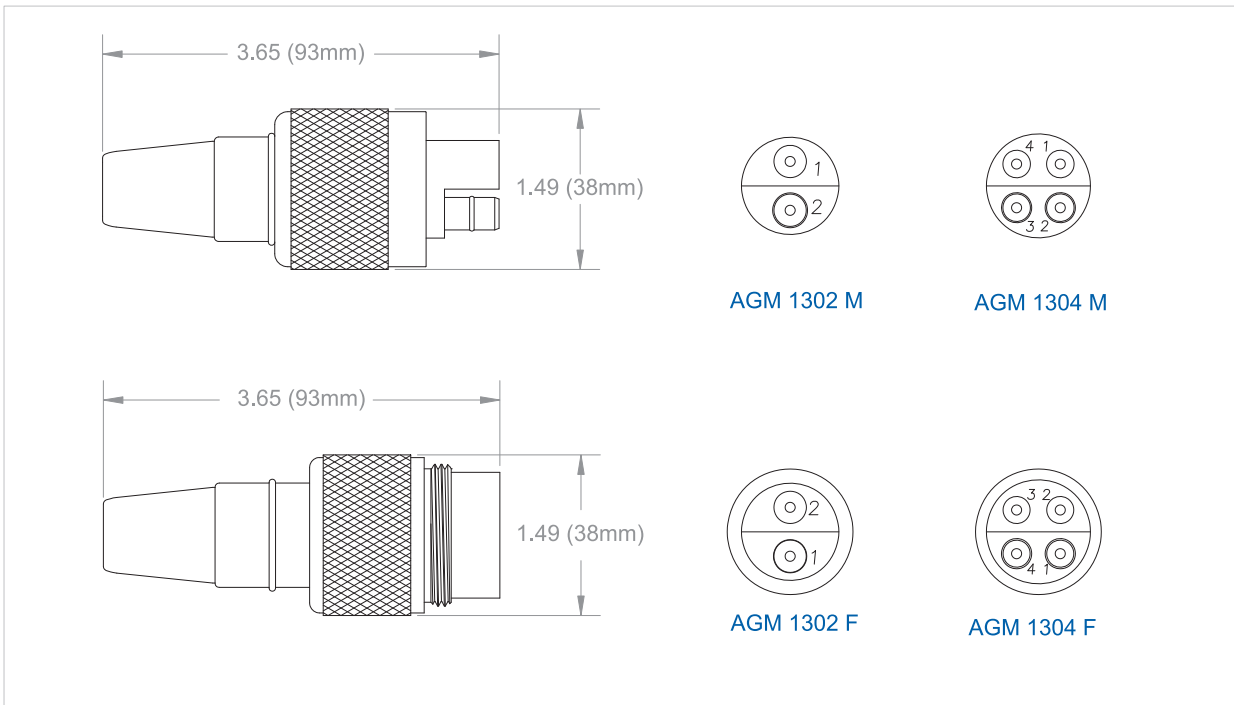




► 1000 Series

AGM Marine Dummy Plugs

AGM 1302 • AGM 1304

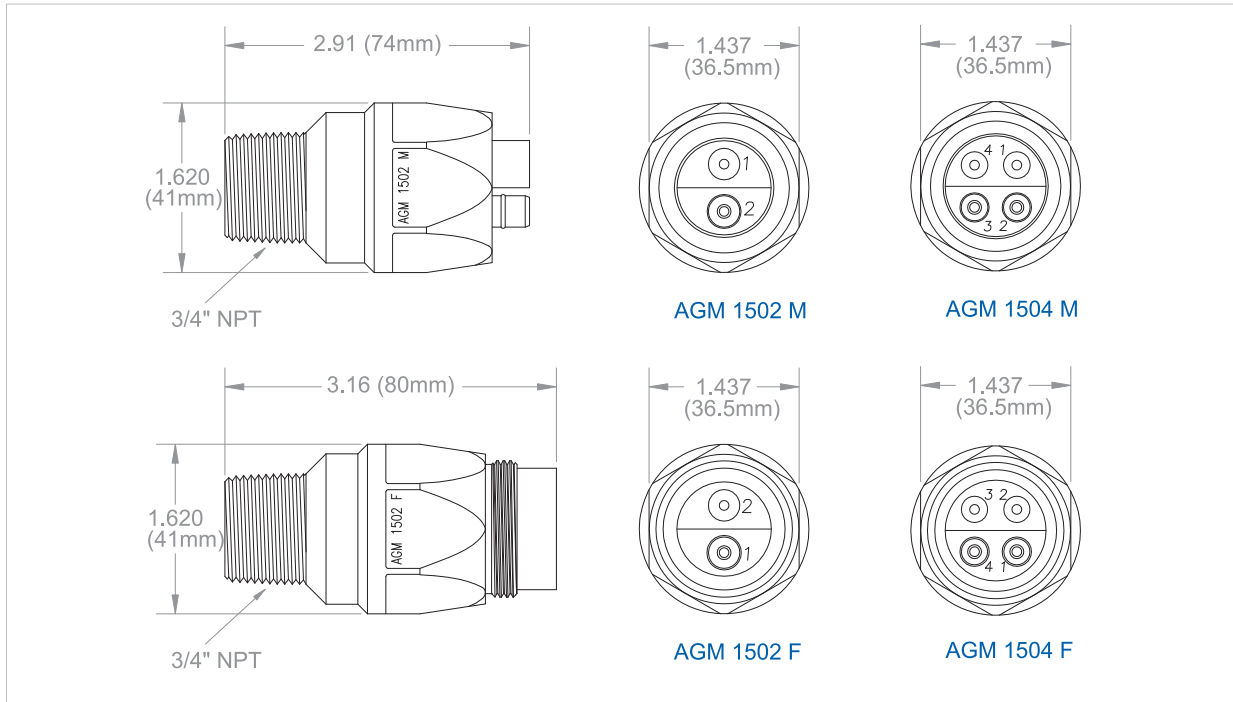




► **1000 Series**

AGM Marine Bulkhead Connectors - NPT Style

AGM 1502 • AGM 1504

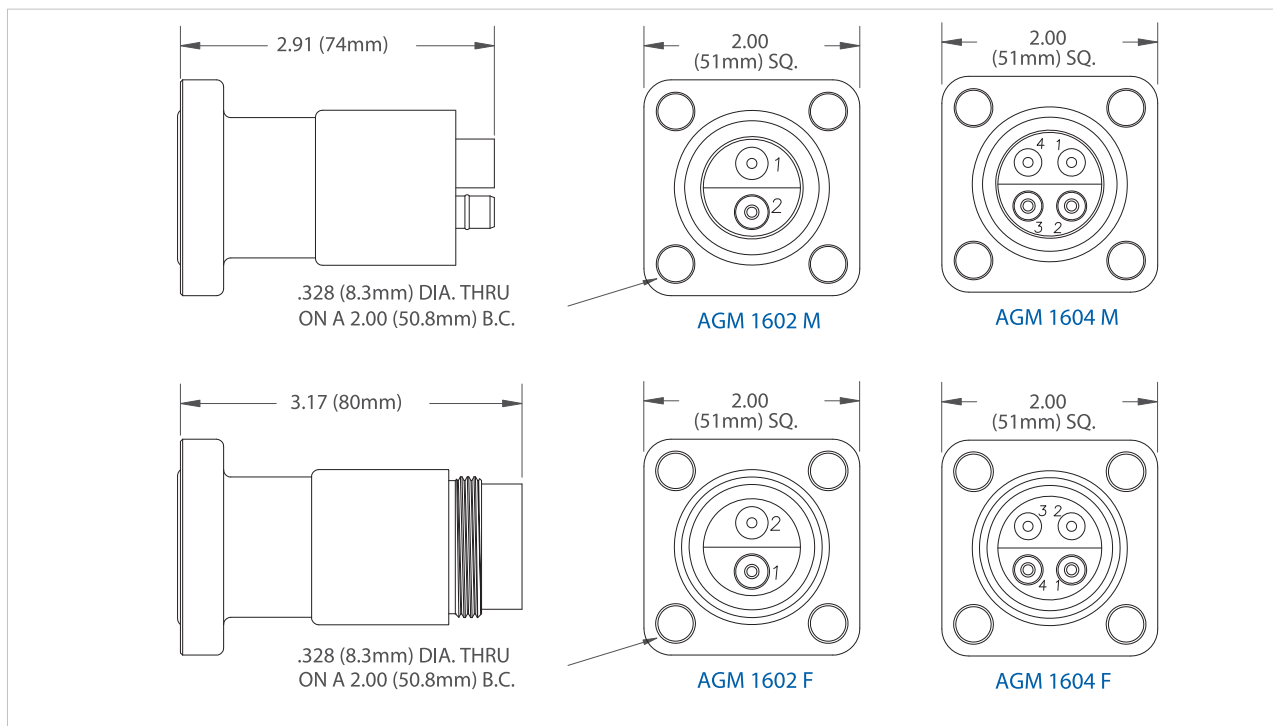




► 1000 Series

AGM Marine Bulkhead Connectors - Flangemount

AGM 1602 • AGM 1604

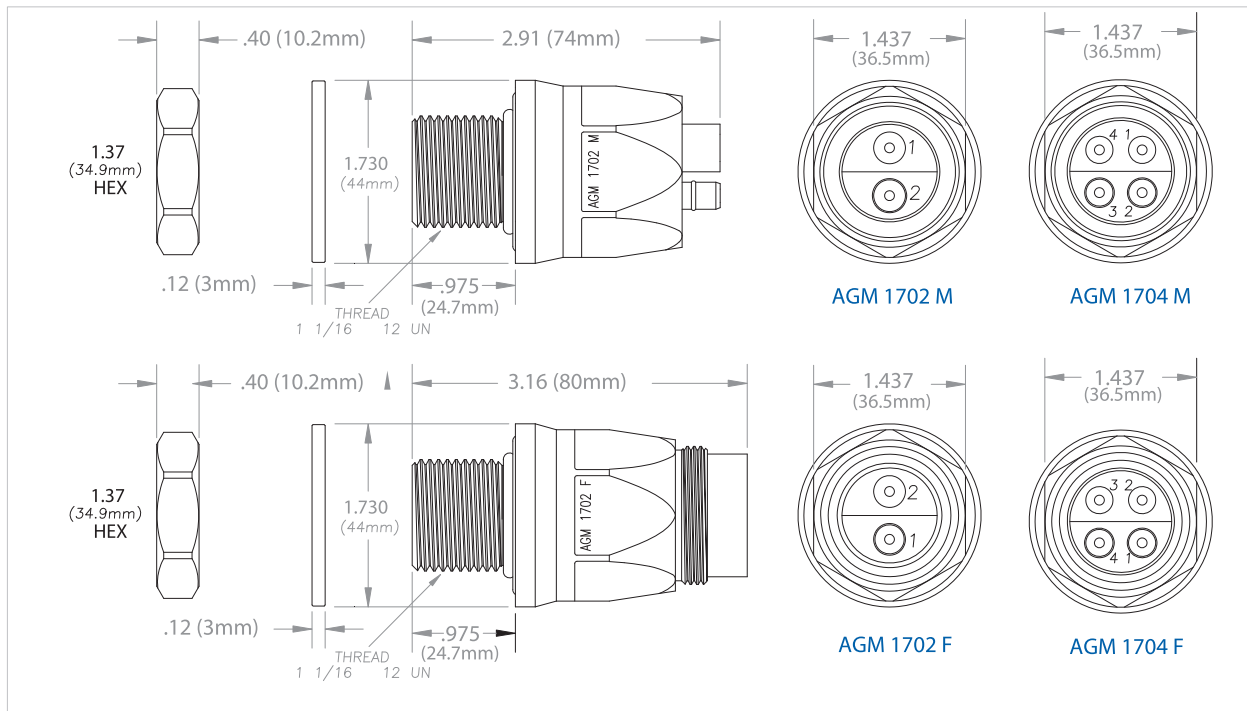




► 1000 Series

AGM Marine Bulkhead Connectors - Straight Thread

AGM 1702 • AGM 1704

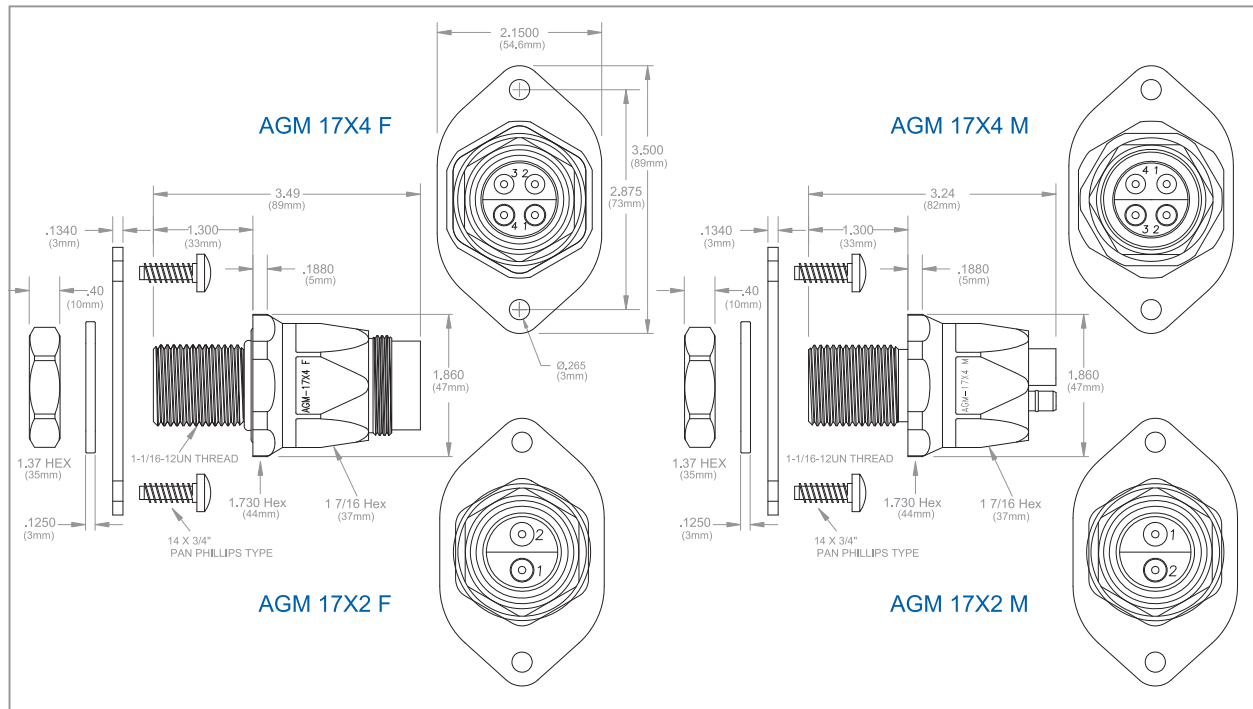




► 1000 Series

AGM Marine Bulkhead Connectors - Straight Thread / Flangelock

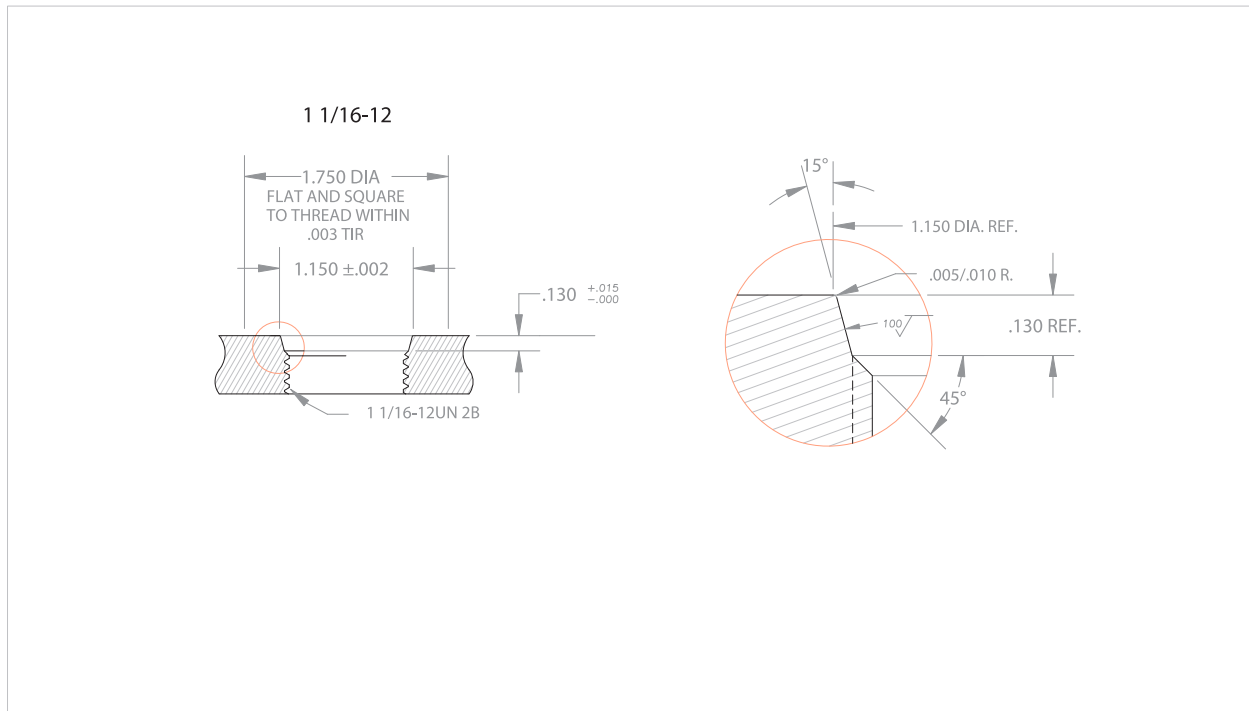
AGM 17X2 • AGM 17X4



► 1000 Series

AGM Marine Bulkhead Connectors

Recommended Panel Holes

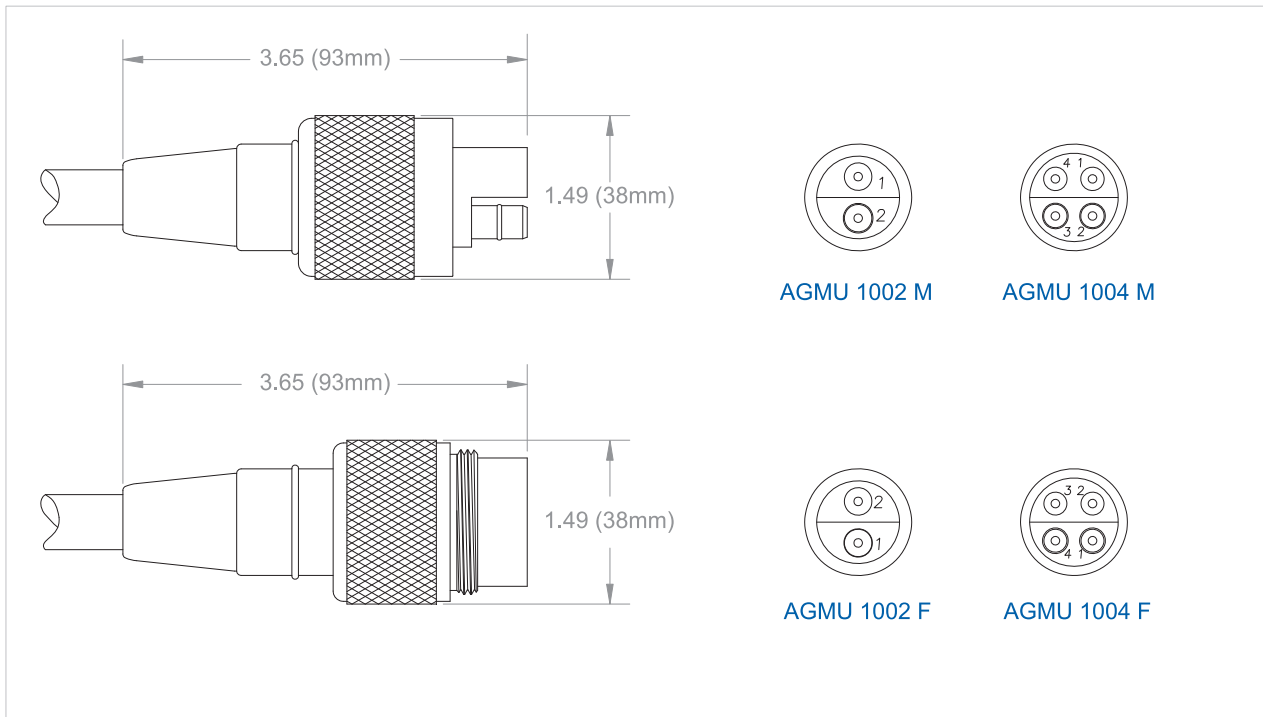




► 1000 Series

AGMU Ultimate Marine Inline Connectors

AGMU 1002 • AGMU 1004

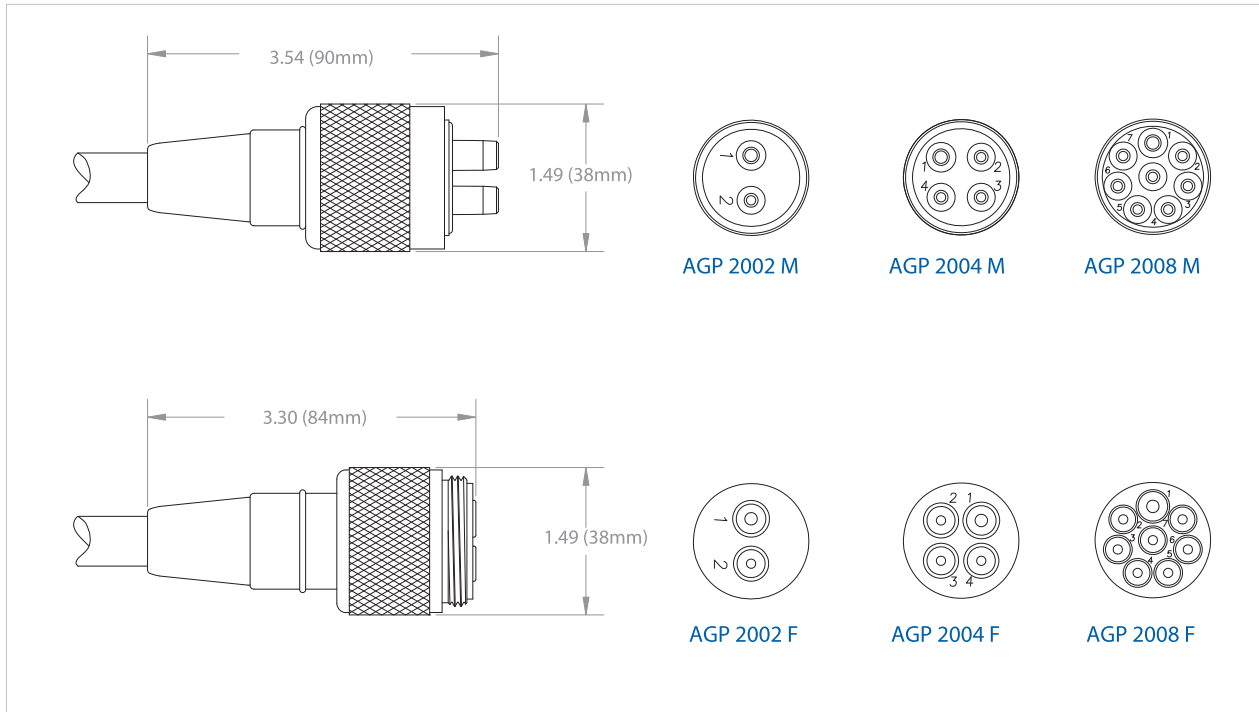




► 2000 Series

AGP Positive Inline Connectors - Standard

AGP 2002 • AGP 2004 • AGP 2008

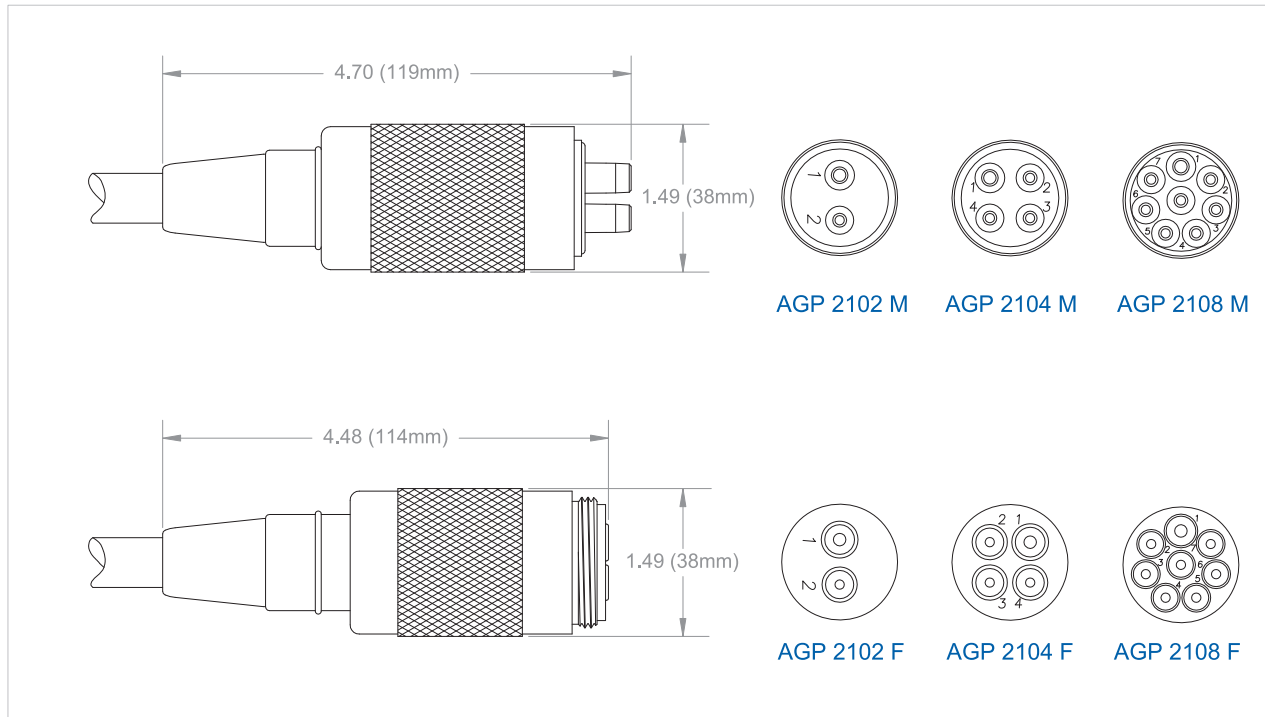




► 2000 Series

AGP Positive Inline Connectors - Water Blocked

AGP 2102 • AGP 2104 • AGP 2108

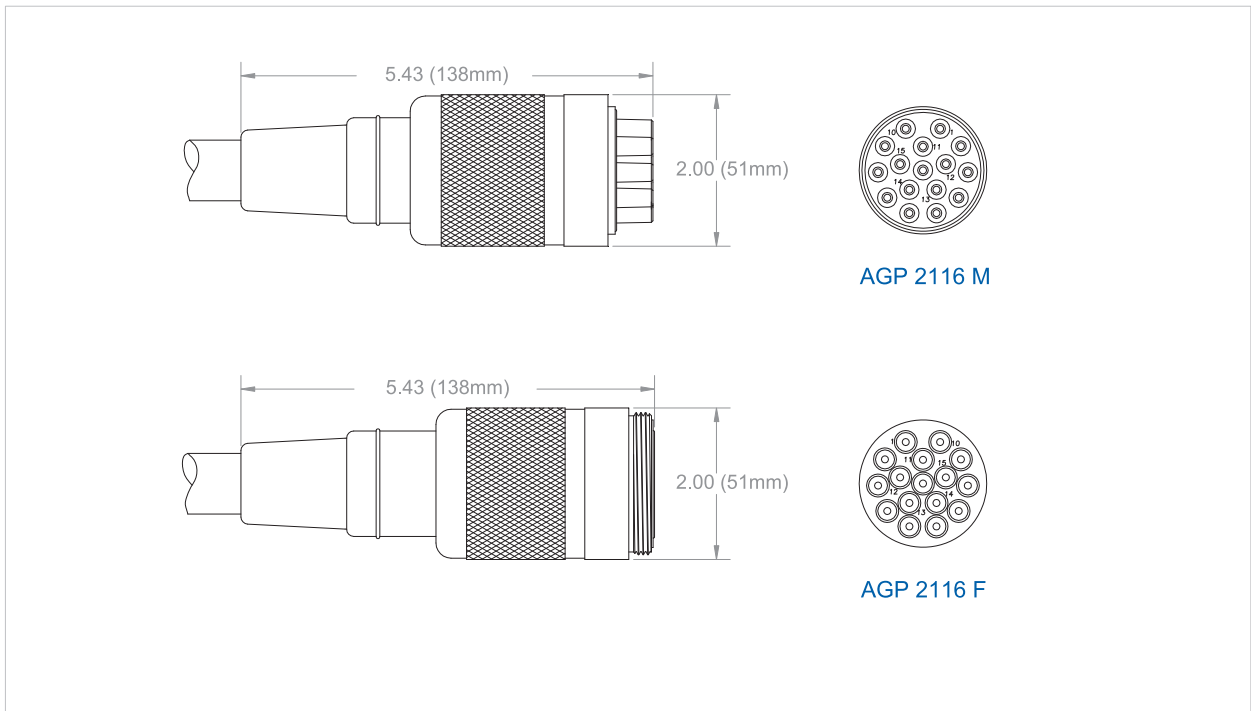


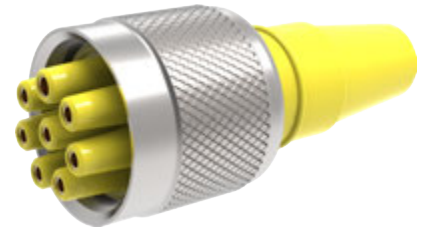


▶ **2000 Series**

AGP Positive Inline Connectors - Water Blocked

AGP 2116

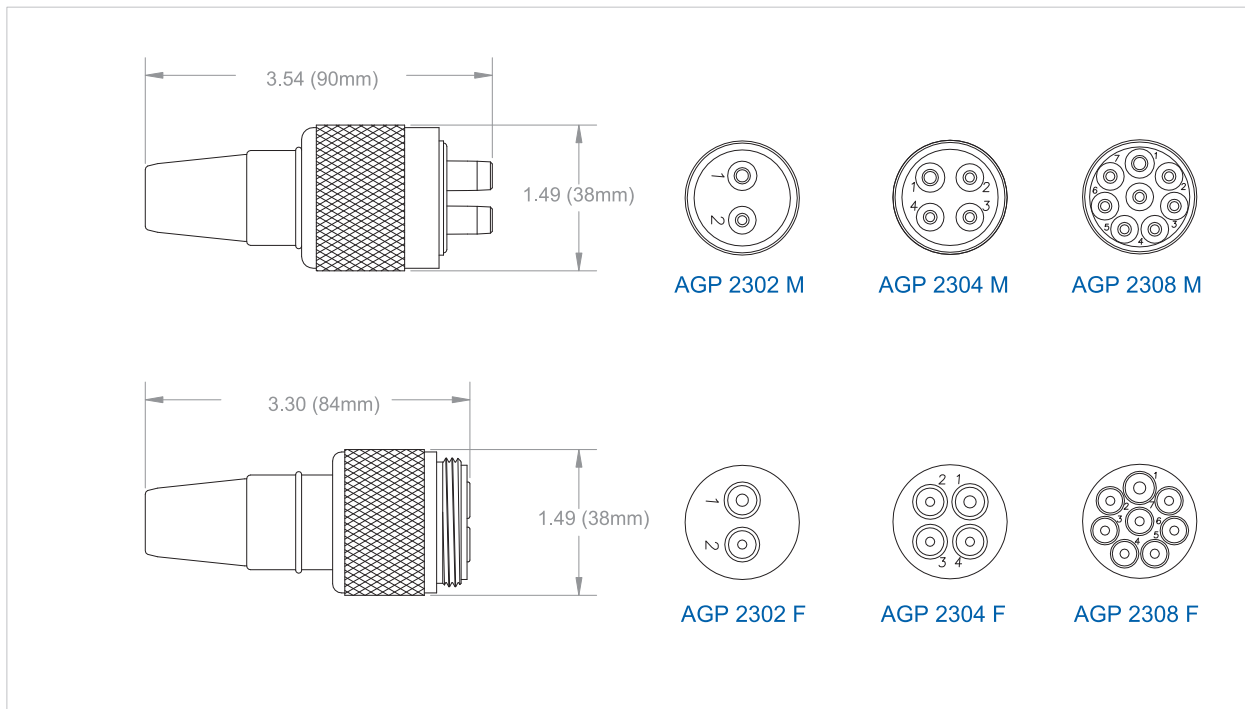




► 2000 Series

AGP Positive Dummy Plugs

AGP 2302 • AGP 2304 • AGP 2308

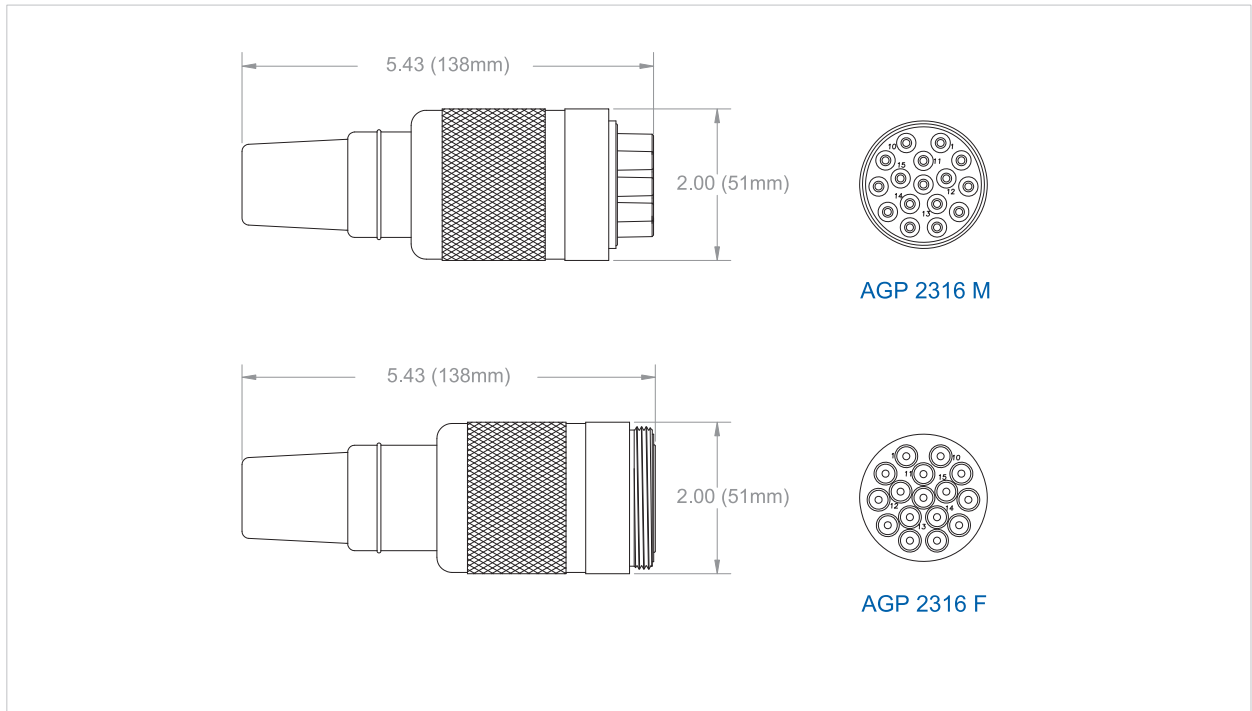




► 2000 Series

AGP Positive Dummy Plugs

AGP 2316

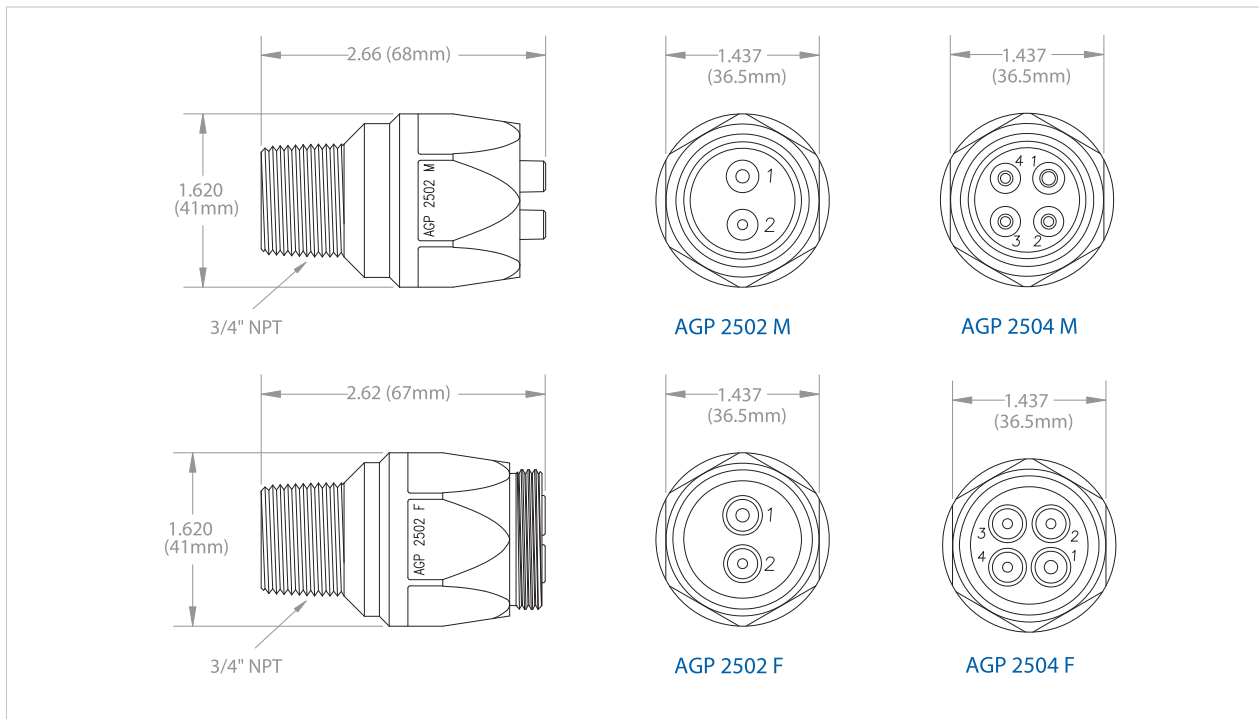




► 2000 Series

AGP Positive Bulkhead Connectors - 3/4" NPT STYLE

AGP 2502 • AGP 2504

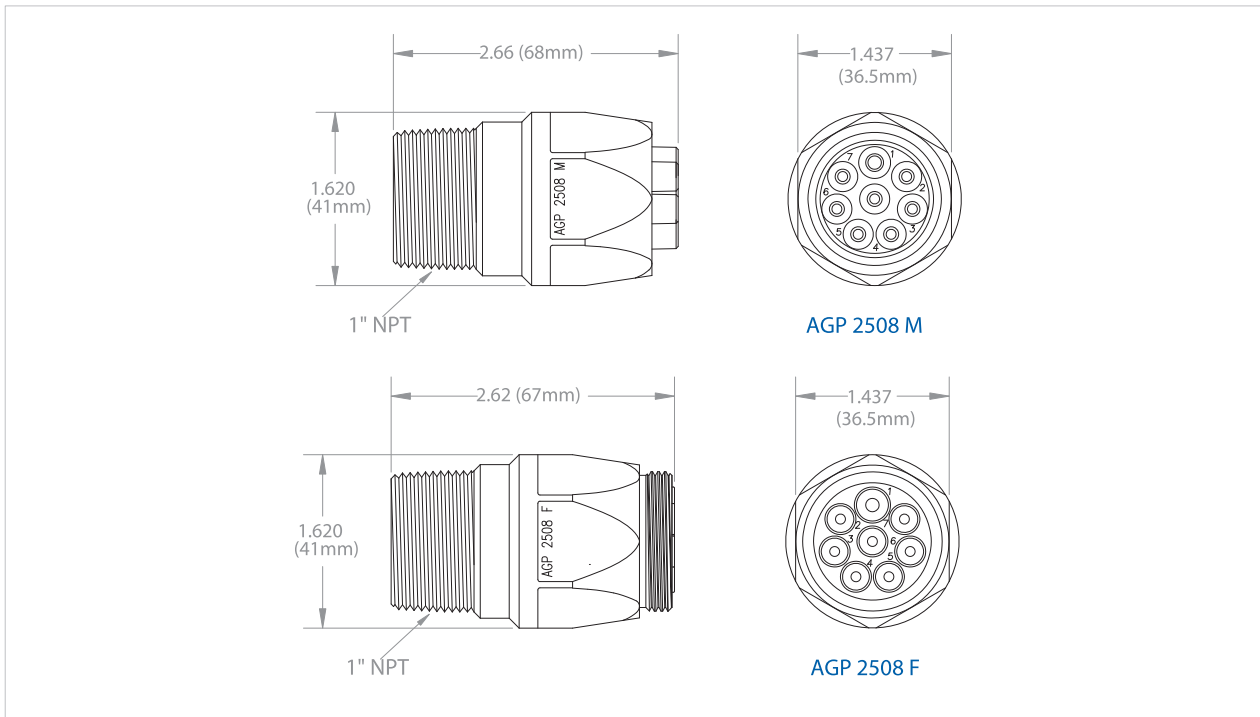




► 2000 Series

AGP Positive Bulkhead Connectors - 1" NPT STYLE

AGP 2508

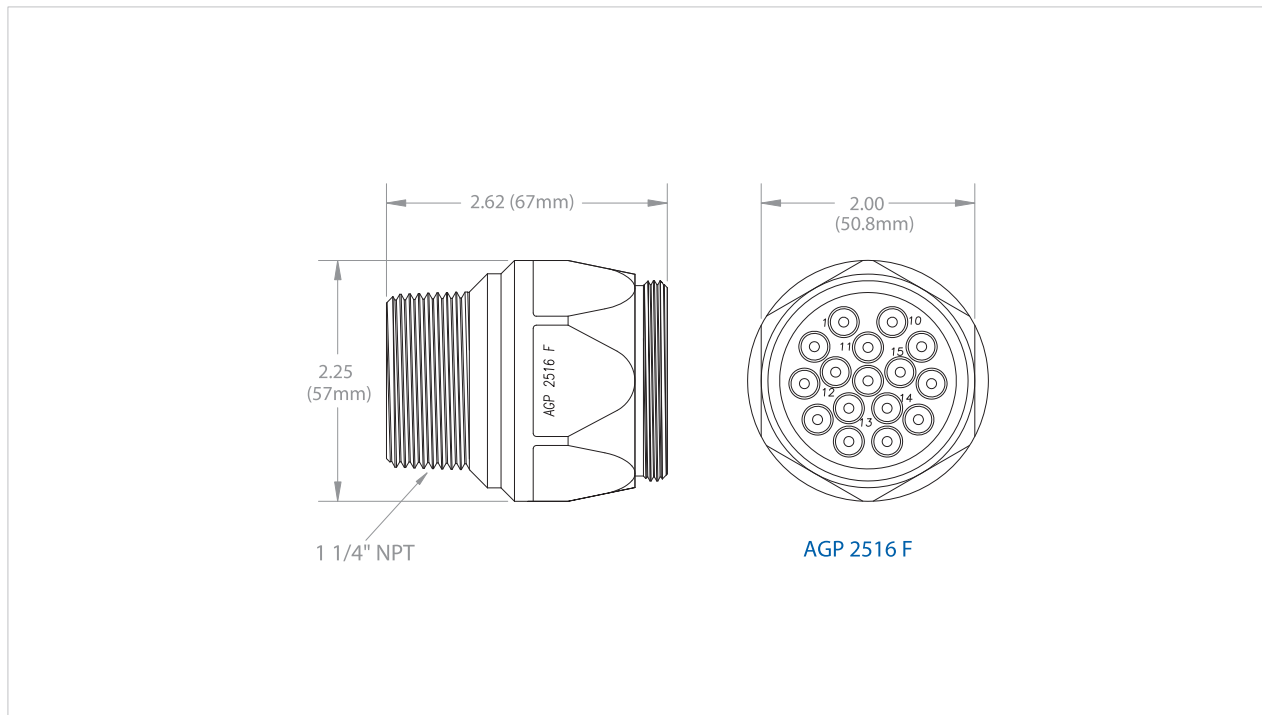


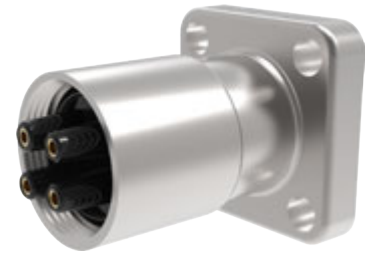


► 2000 Series

AGP Positive Bulkhead Connectors - 1 1/4" NPT STYLE

AGP 2516

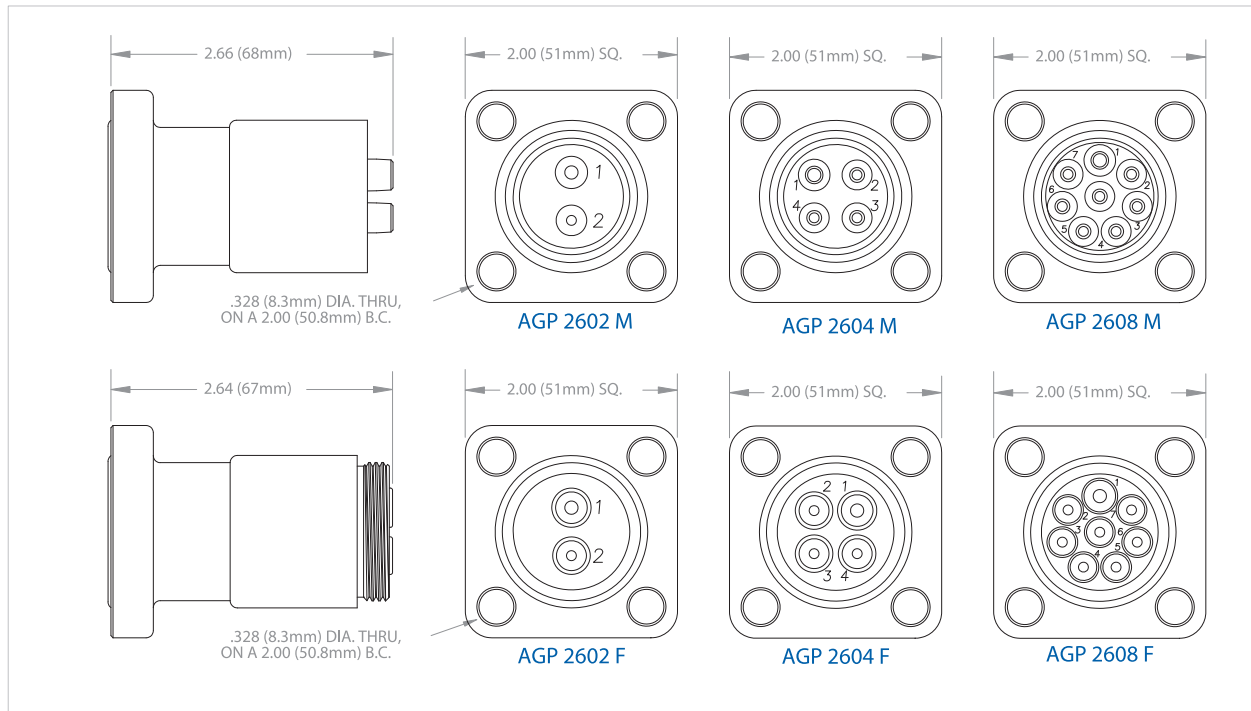




► **2000 Series**

AGP Positive Bulkhead Connectors - Flangemount

AGP 2602 • AGP 2604 • AGP 2608

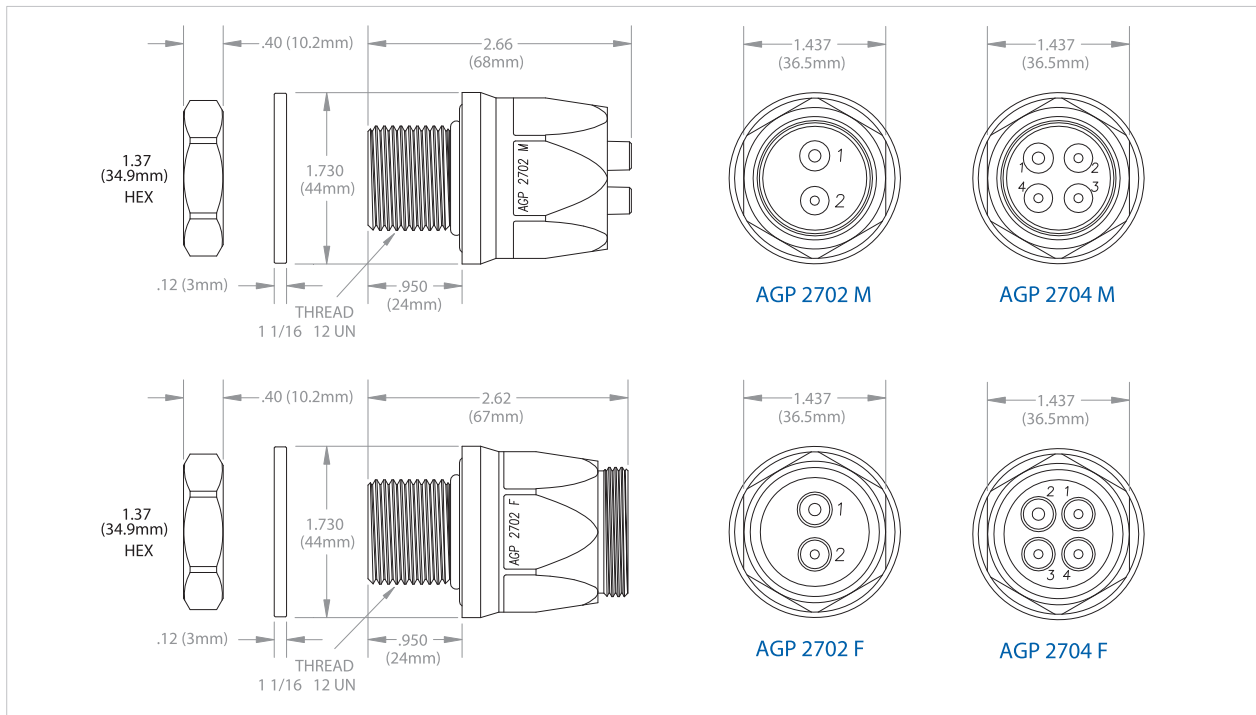




► 2000 Series

AGP Positive Bulkhead Connectors - 1 1/16" Straight Thread

AGP 2702 • AGP 2704

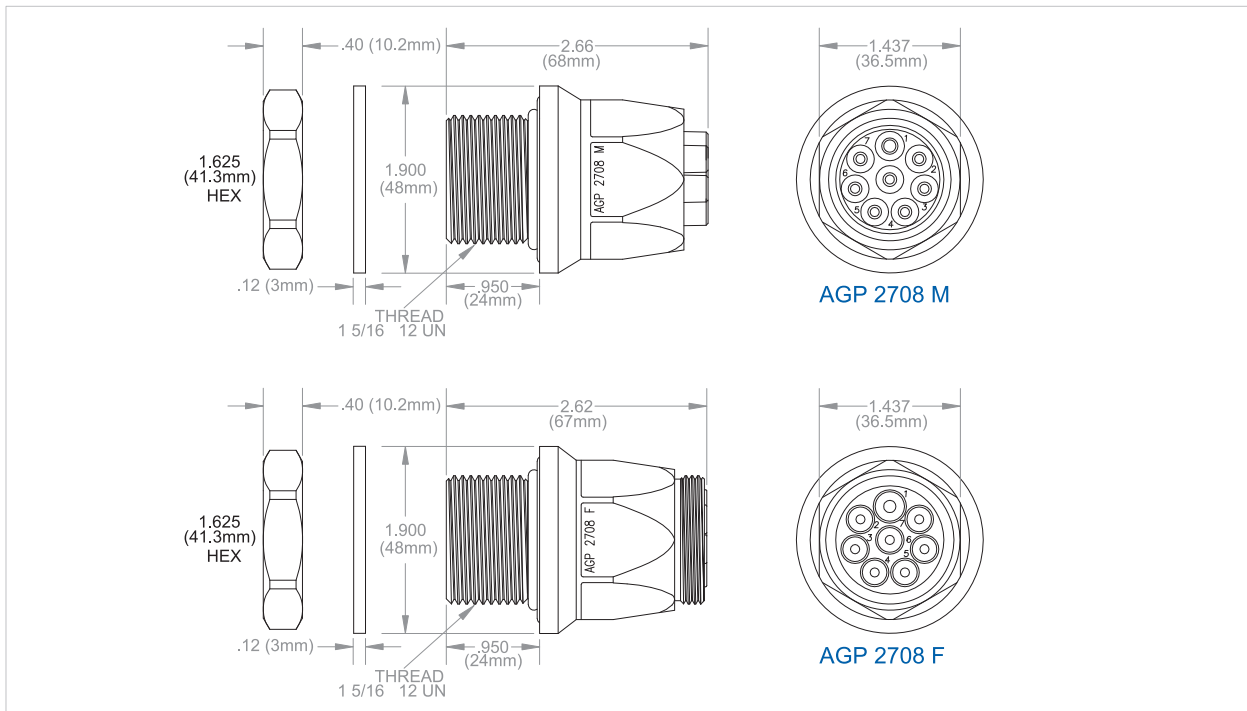




► 2000 Series

AGP Positive Bulkhead Connectors - 1 5/16" Straight Thread

AGP 2708

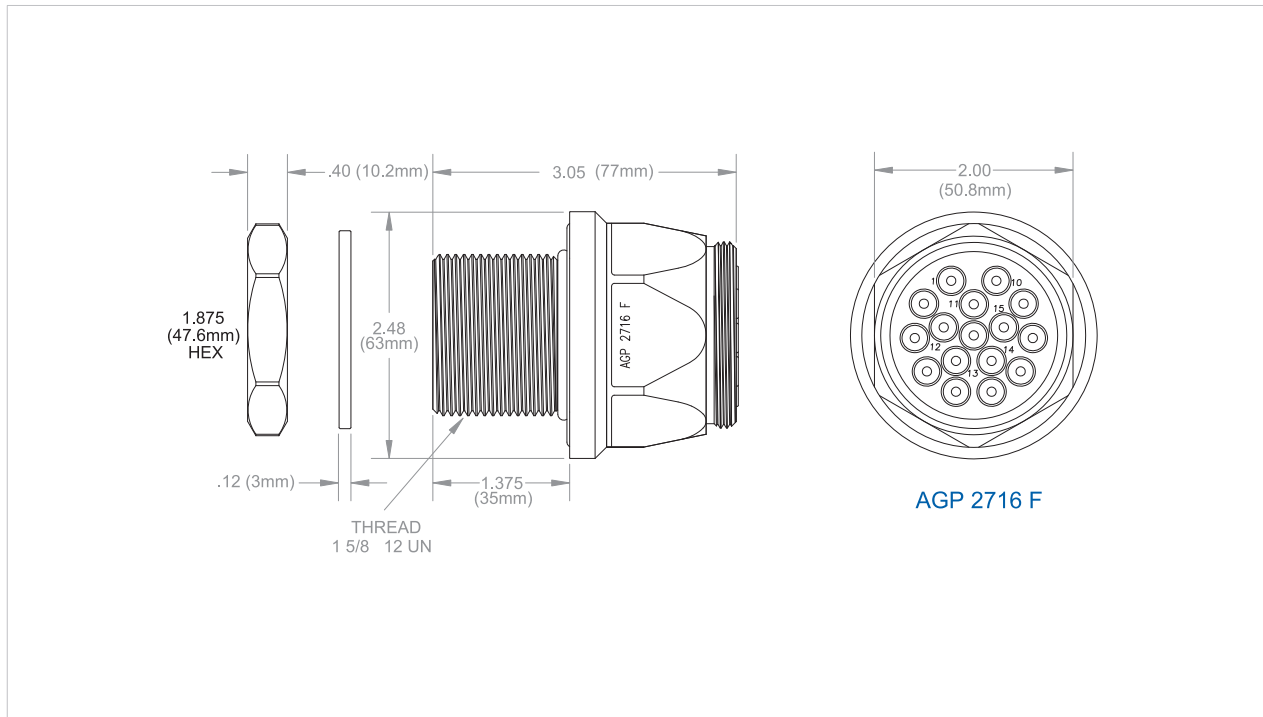




► 2000 Series

AGP Positive Bulkhead Connectors - 1 5/8" Straight Thread

AGP 2716

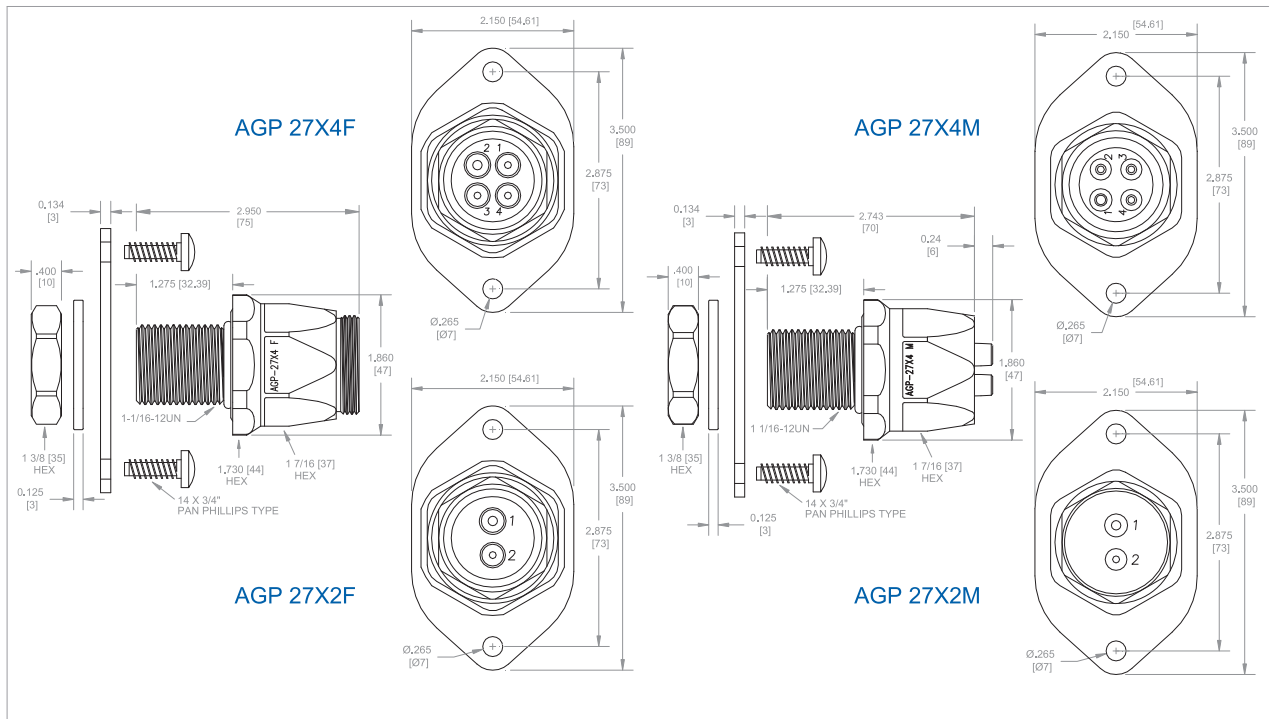




► 2000 Series

AGP Positive Bulkhead Connectors - 1 1/16" Straight Thread / Flangelock

AGP 27X2 • AGP 27X4

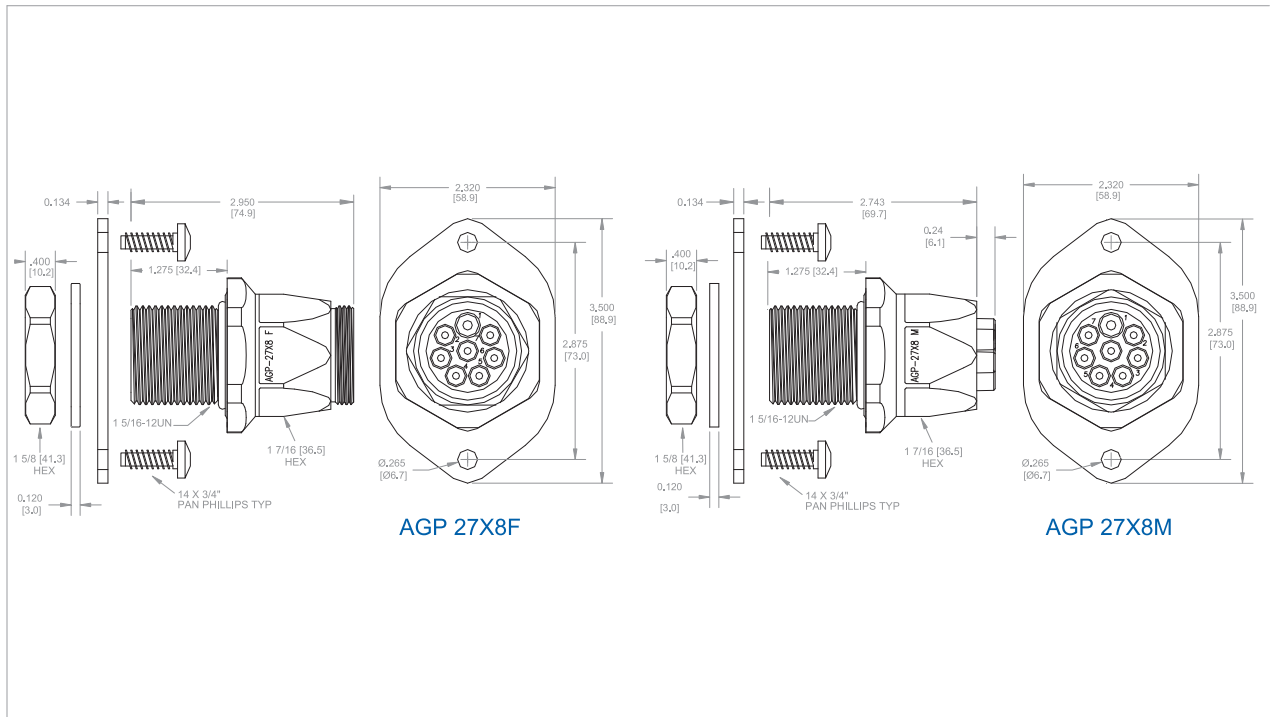




► 2000 Series

AGP Positive Bulkhead Connectors - 1 5/16" Straight Thread / Flangelock

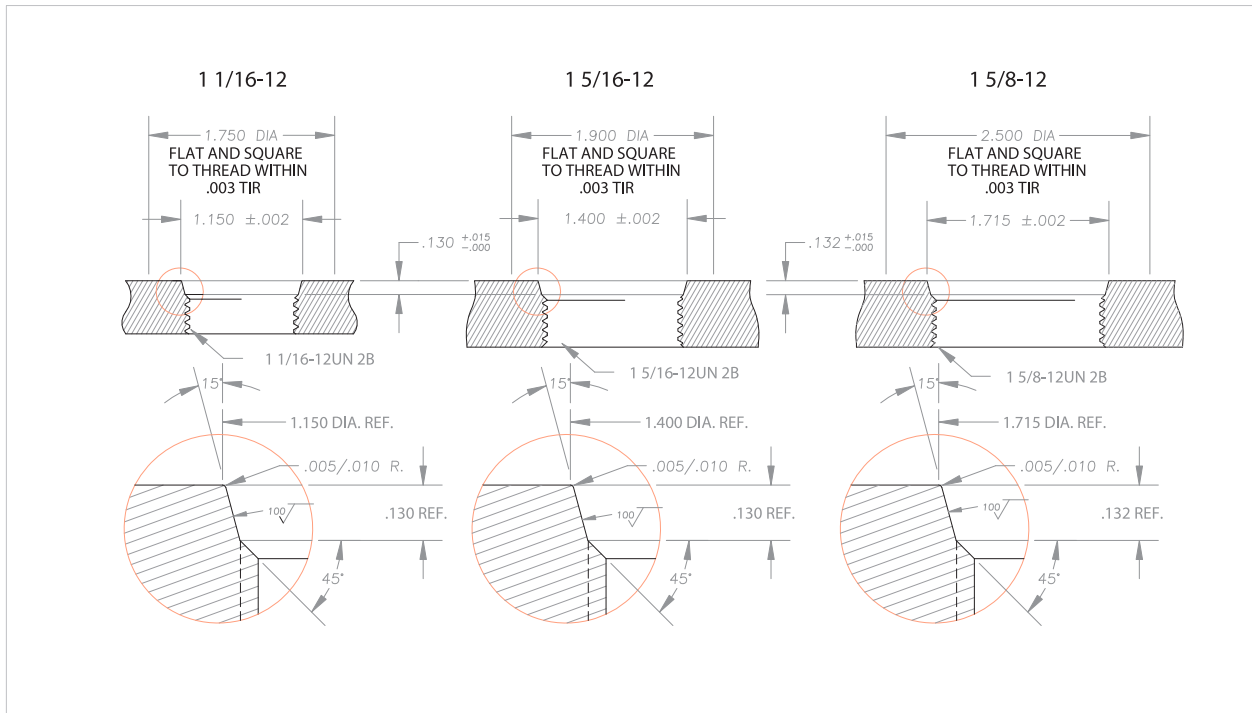
AGP 27X8



► 2000 Series

AGP Positive Bulkhead Connectors

Recommended Panel Holes

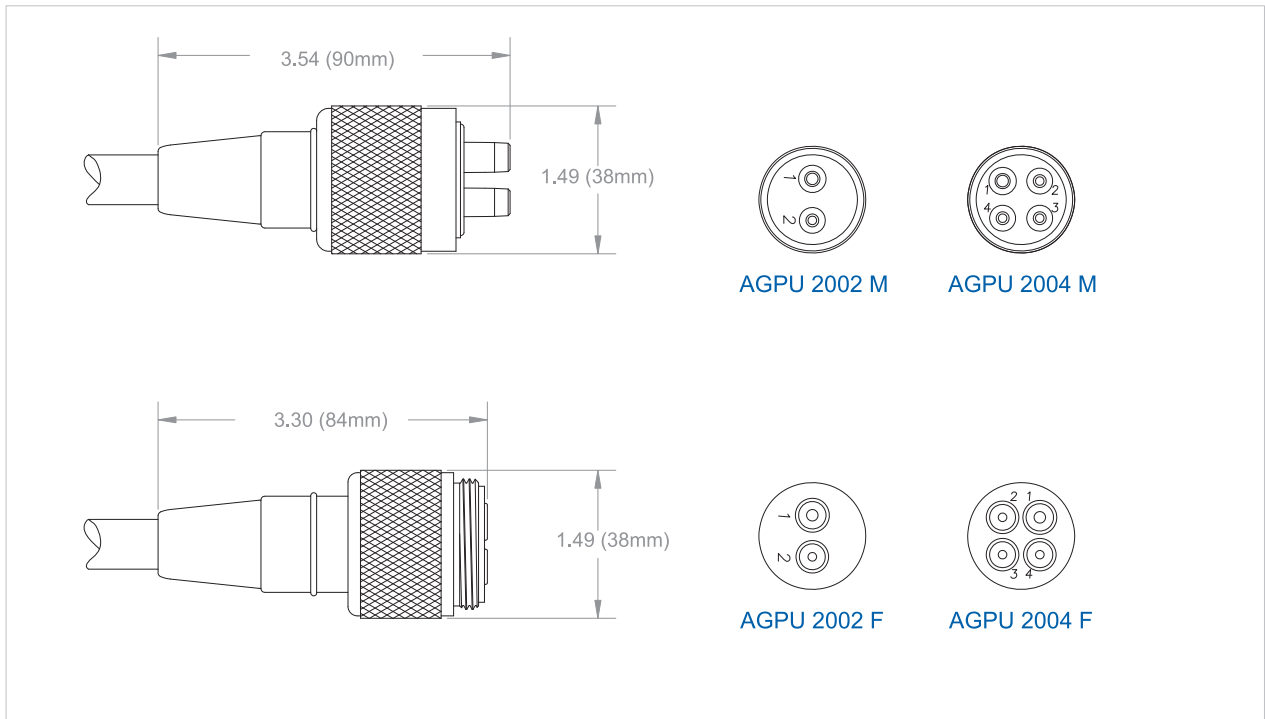


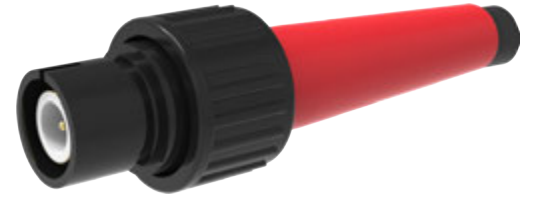


► 2000 Series

AGPU Ultimate Positive Connectors

AGPU 2002 • AGPU 2004

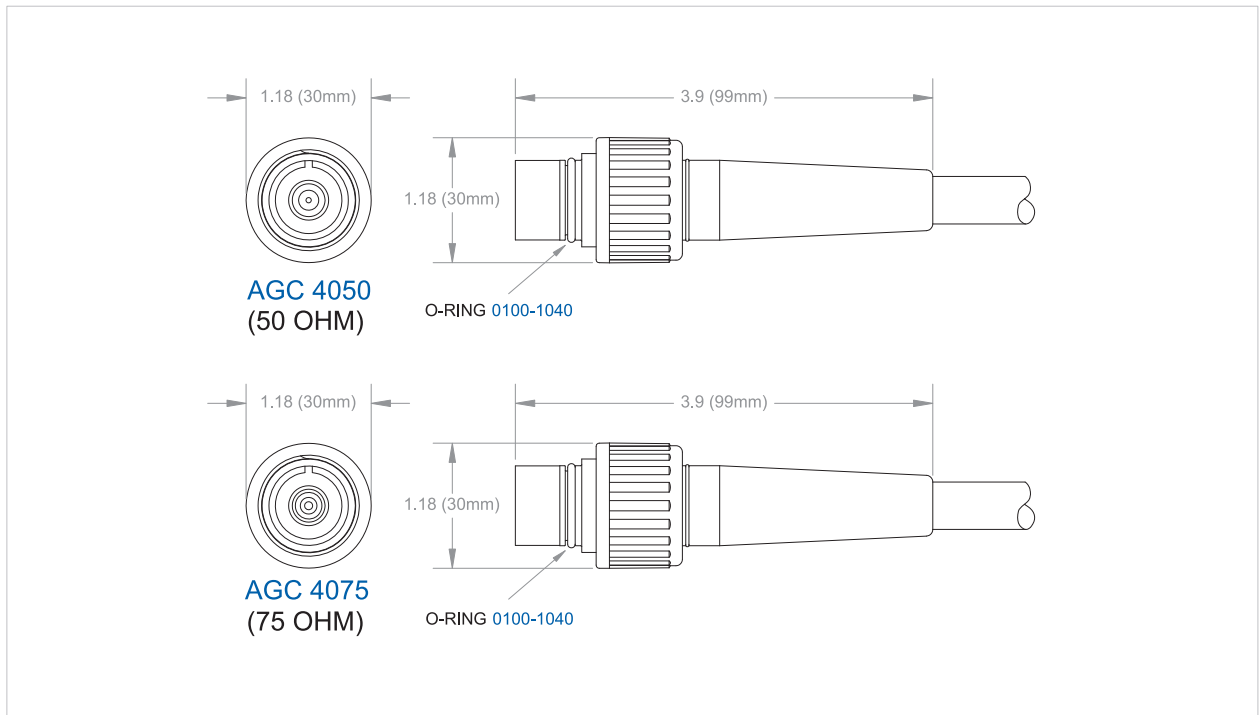


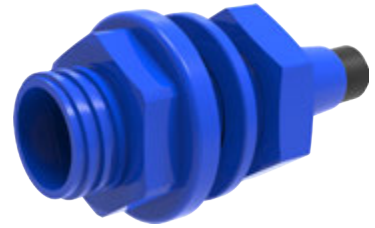


► 4000 Series

AGC Coax - Inline

AGC 4050 • AGC 4075

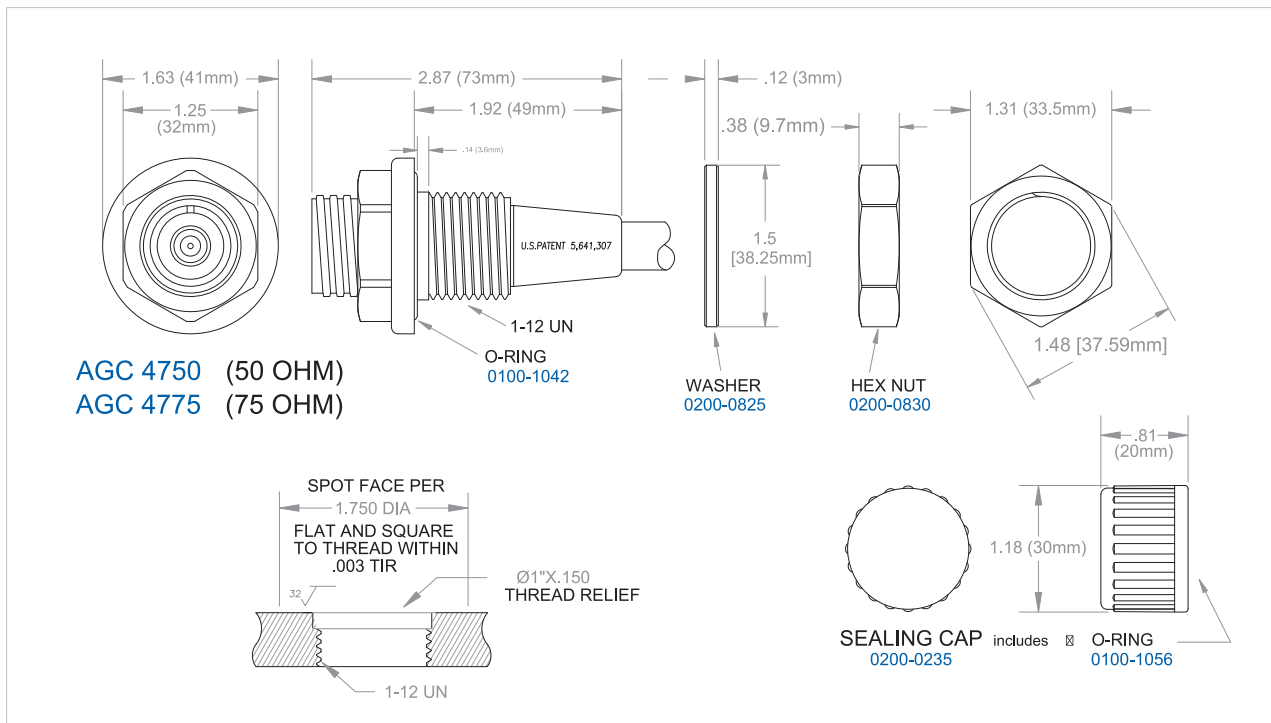




► 4000 Series

AGC Coax - Bulkhead

AGC 4750 • AGC 4775

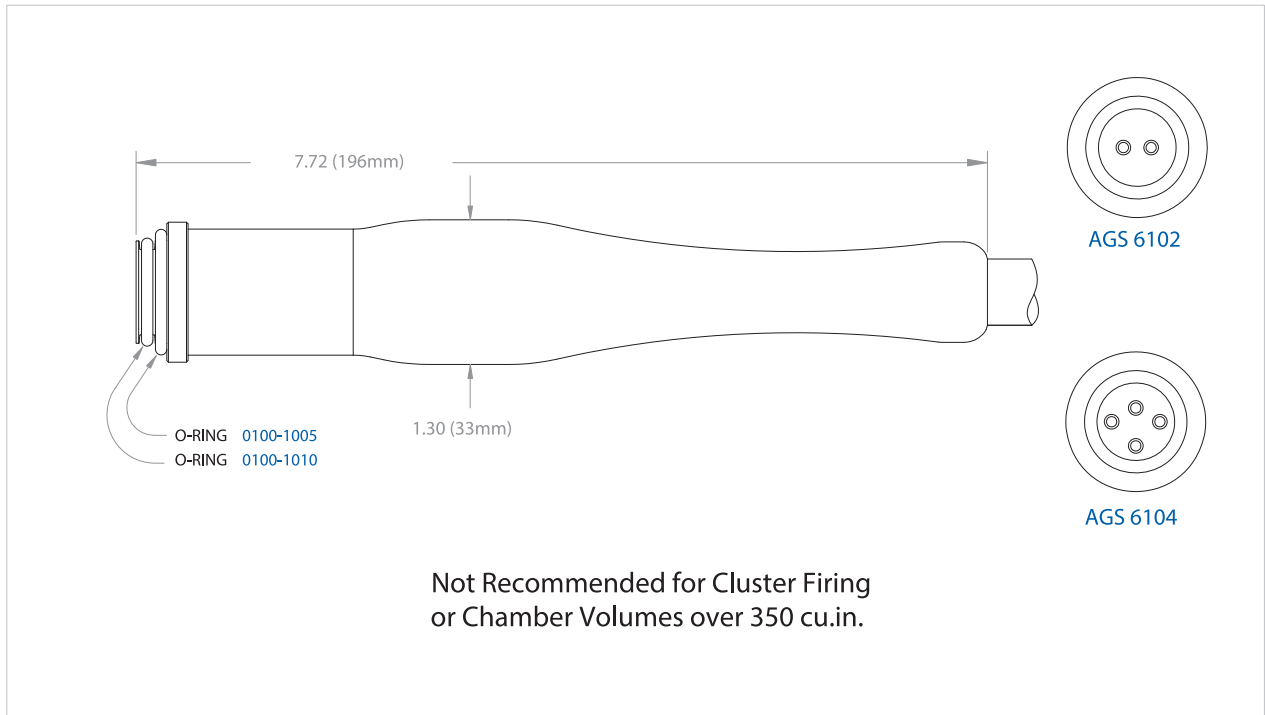


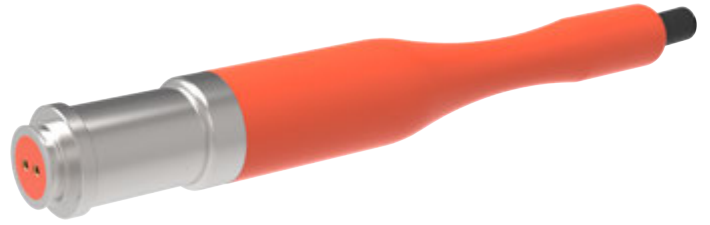


► **6000 Series**

AGS Source Energy Connectors - Bolt Air Gun

AGS 6102 • AGS 6104





► 6000 Series

AGS Source Energy Connectors - Bolt Air Gun

AGS 6202 • AGS 6204

AGS 6202

WIRING TYPES AGS 6204

AGS 6204			Type A XX04 M	Type B XX04 M	Type C XX04 M	Type D XX04 M
T(-)	Transducer Neg (-)	Black	Pin 1	Pin 4	Pin 1	Pin 4
T(+)	Transducer Pos (+)	Red	Pin 2	Pin 3	Pin 3	Pin 2
S:2	Solenoid 2	Green	Pin 3	Pin 2	Pin 2	Pin 1
S:1	Solenoid 1	Yellow	Pin 4	Pin 1	Pin 4	Pin 3

AGS 6204

Heavy Duty
Recommended for all Bolt Air Guns



► 6000 Series

AGS Source Energy Connectors - Bolt Air Gun

AGS 6254

O-RING 0100-1005
O-RING 0100-1010

6.83 (174mm)

1.44 (37mm)

WIRING TYPES AGS 6204

AGS 6254			Type A XX04 M	Type B XX04 M	Type C XX04 M	Type D XX04 M
T(-)	Transducer Neg (-)	Green	Pin 1	Pin 4	Pin 1	Pin 4
T(+)	Transducer Pos (+)	Red	Pin 2	Pin 3	Pin 3	Pin 2
S:2	Solenoid 2	Black	Pin 3	Pin 2	Pin 2	Pin 1
S:1	Solenoid 1	Yellow	Pin 4	Pin 1	Pin 4	Pin 3

AGS 6254

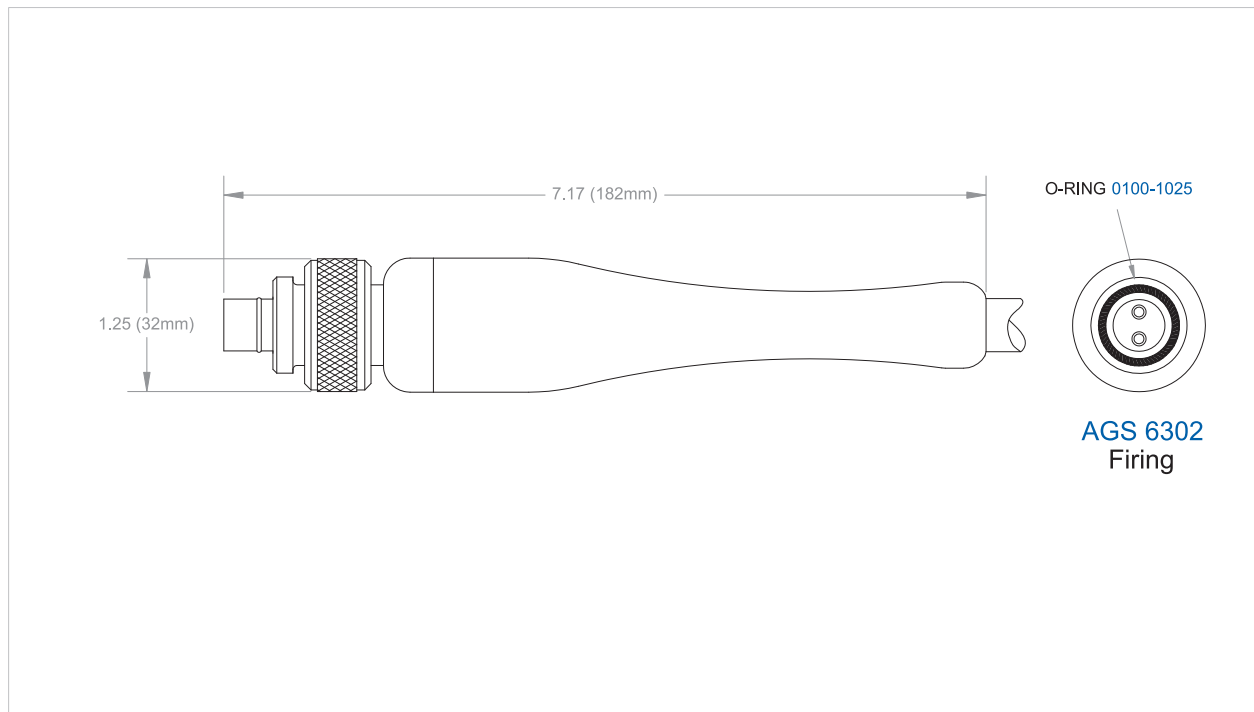
Ruggedized for large airguns and extended service life



► 6000 Series

AGS Source Energy Connectors - Sleeve Air Gun

AGS 6302

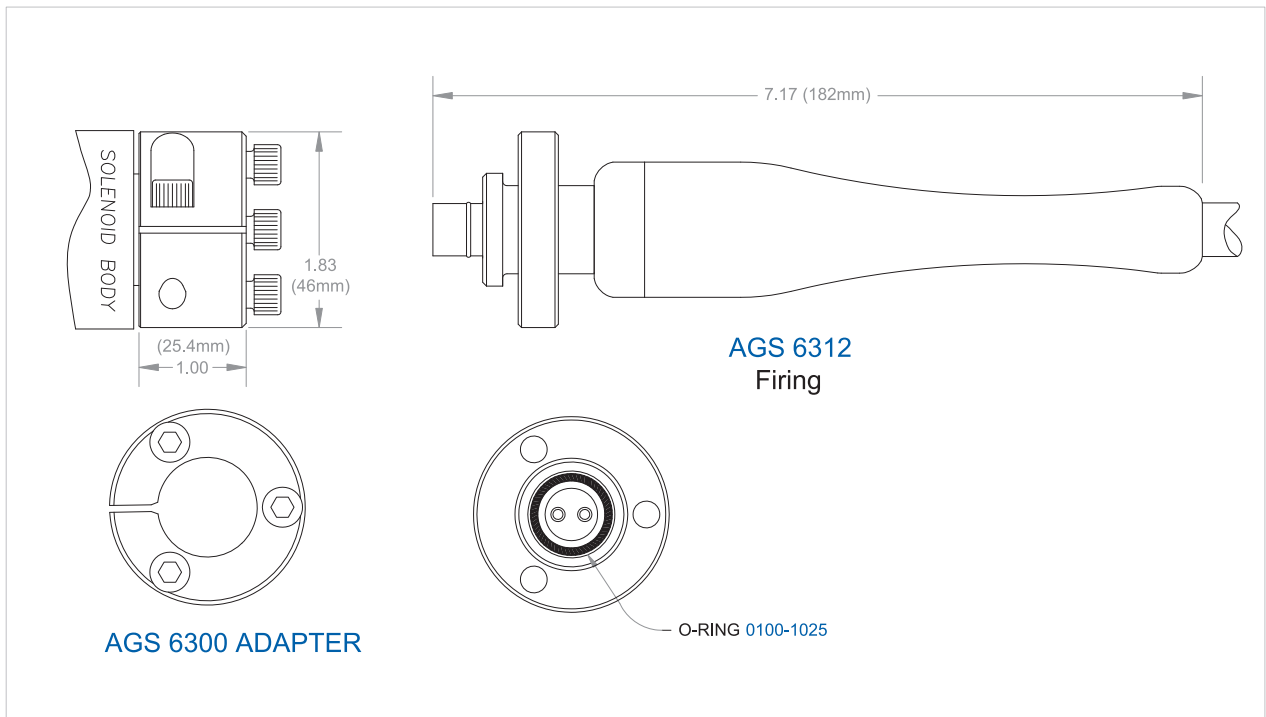




► **6000 Series**

AGS Source Energy Connectors - Sleeve Air Gun

AGS 6312

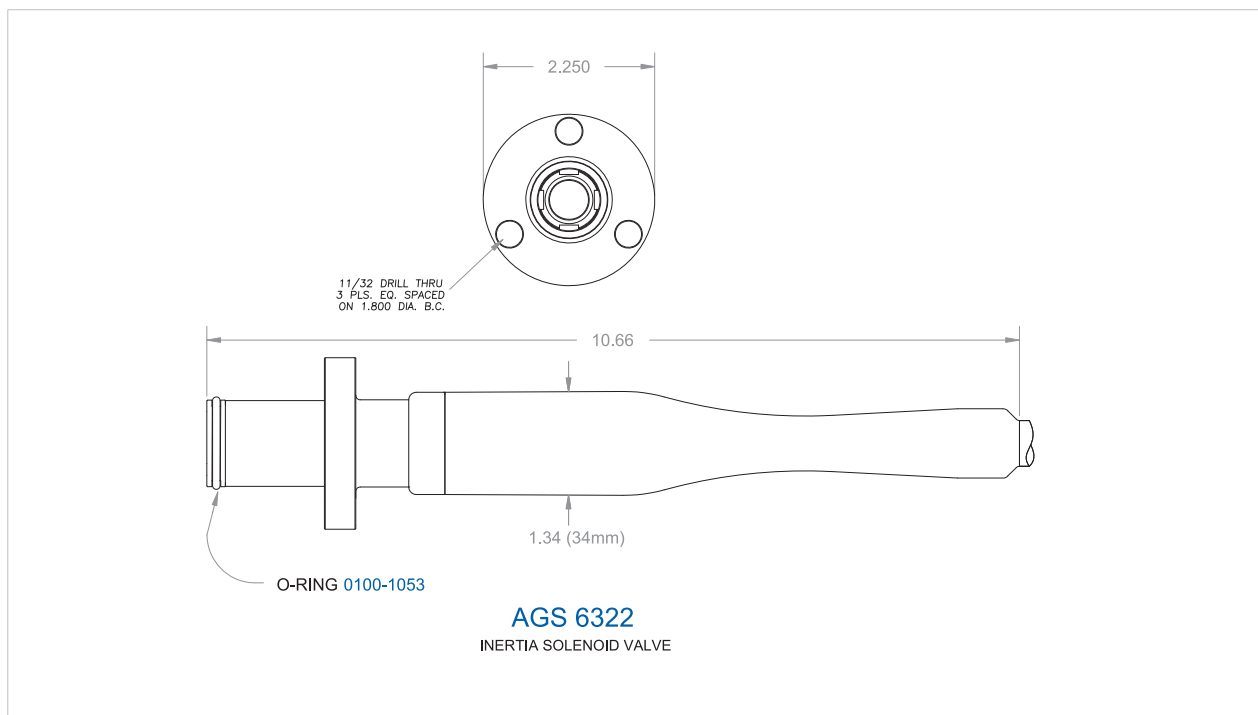


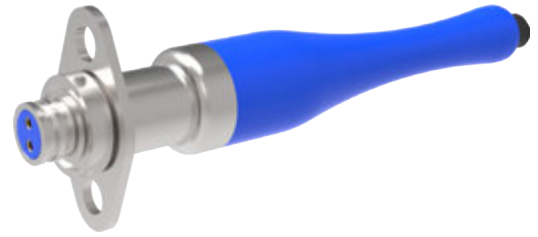


► 6000 Series

AGS Source Energy Connectors - Sleeve Gun Solenoid

AGS 6322

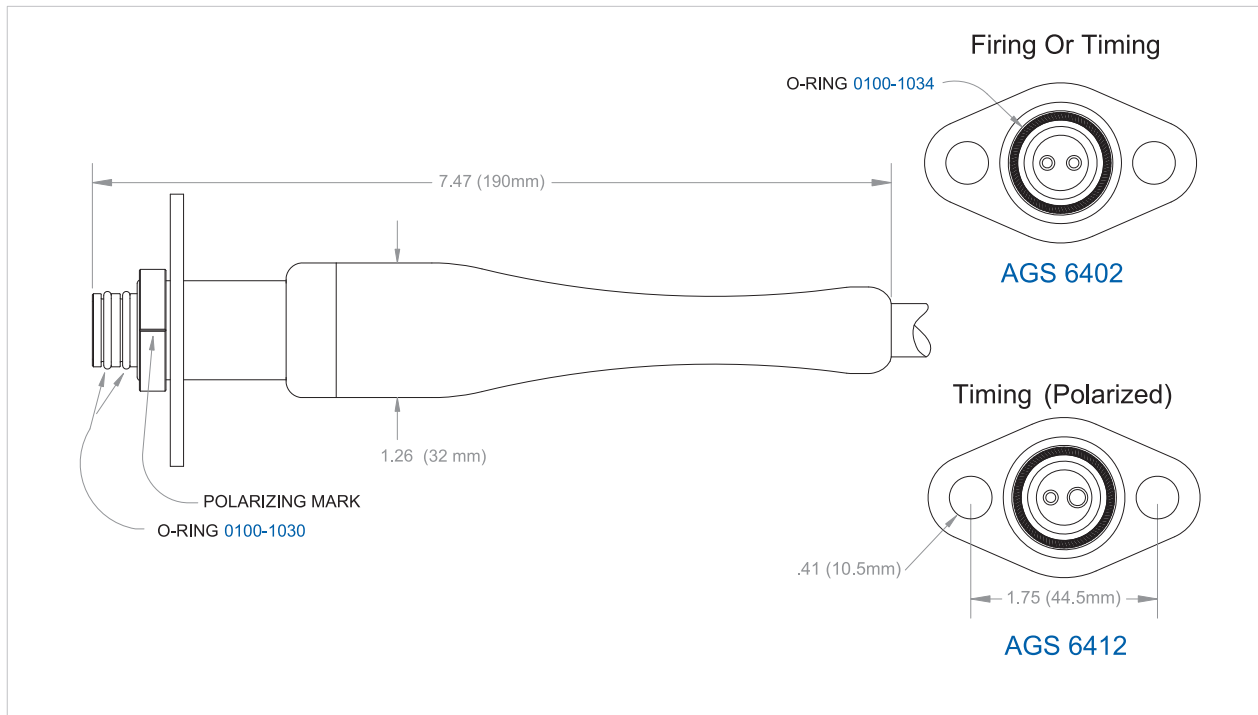


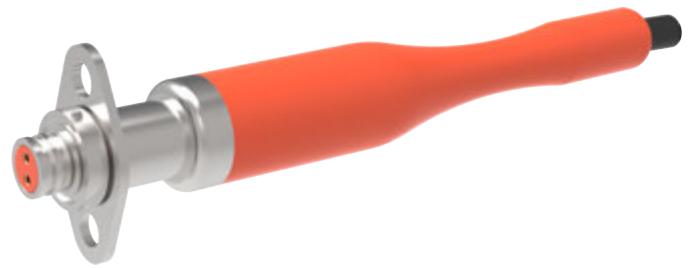


► **6000 Series**

AGS Source Energy Connectors - Sleeve Air Gun

AGS 6402 • AGS 6412

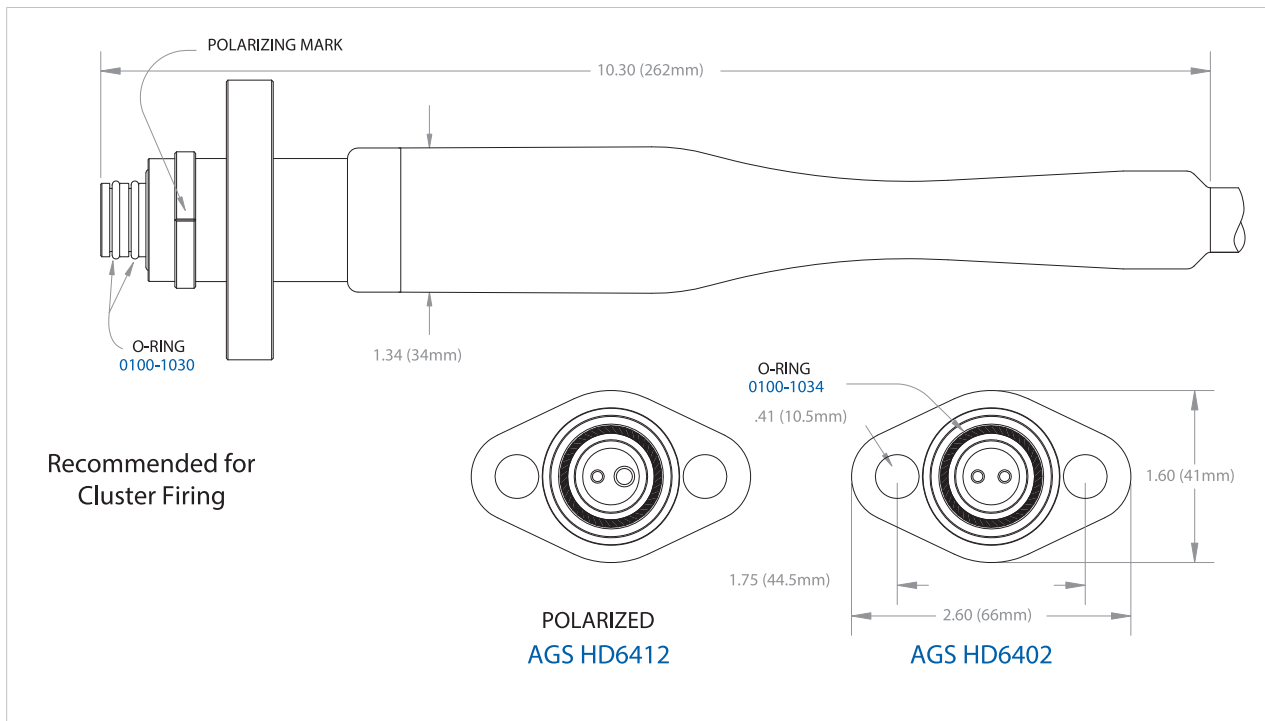




► 6000 Series

AGS Source Energy Connectors - Heavy Duty Sleeve Air Gun

AGS HD6402 • AGS HD6412

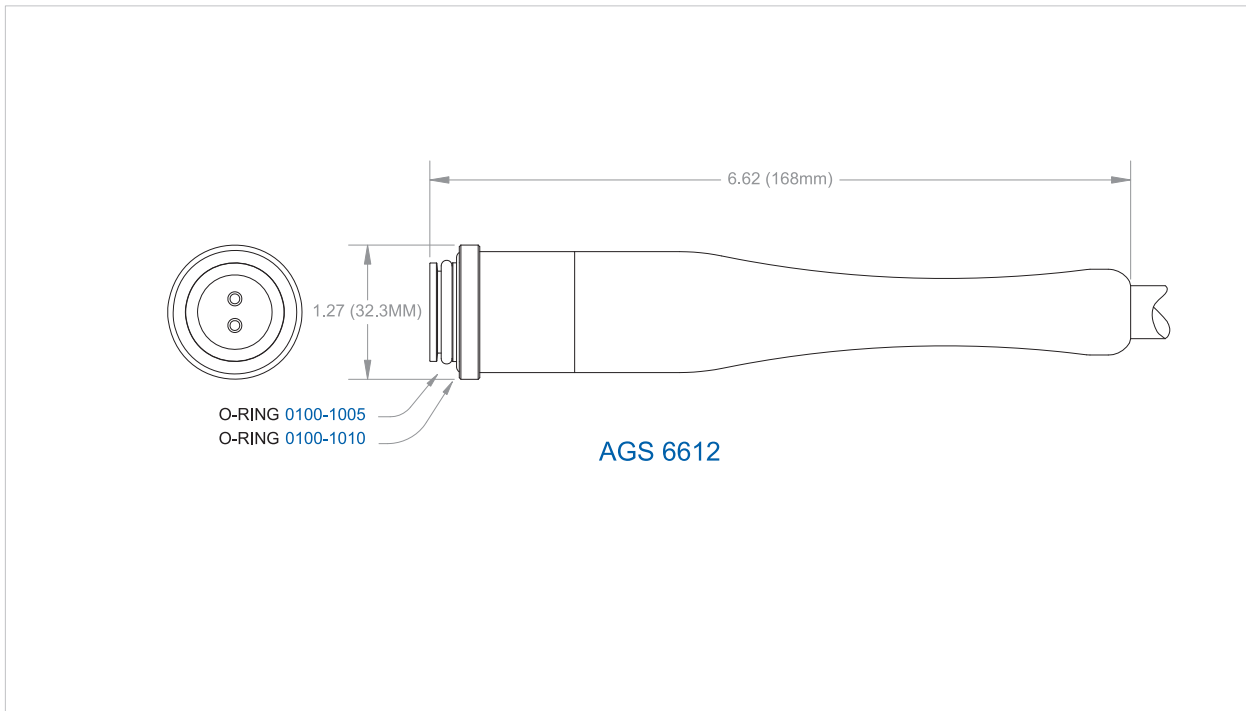




▶ 6000 Series

AGS Source Energy Connectors - SSI G & GI Air Gun

AGS 6612

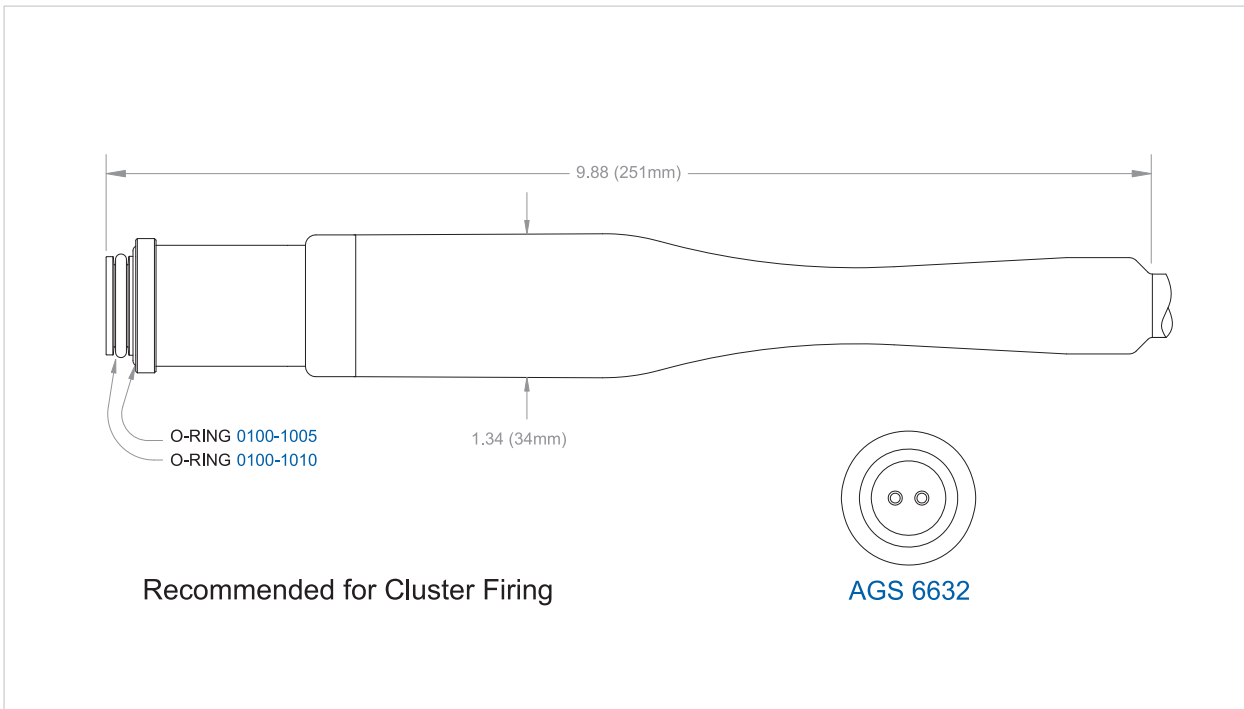




▶ 6000 Series

AGS Source Energy Connectors - SSI G & GI Air Gun

AGS 6632

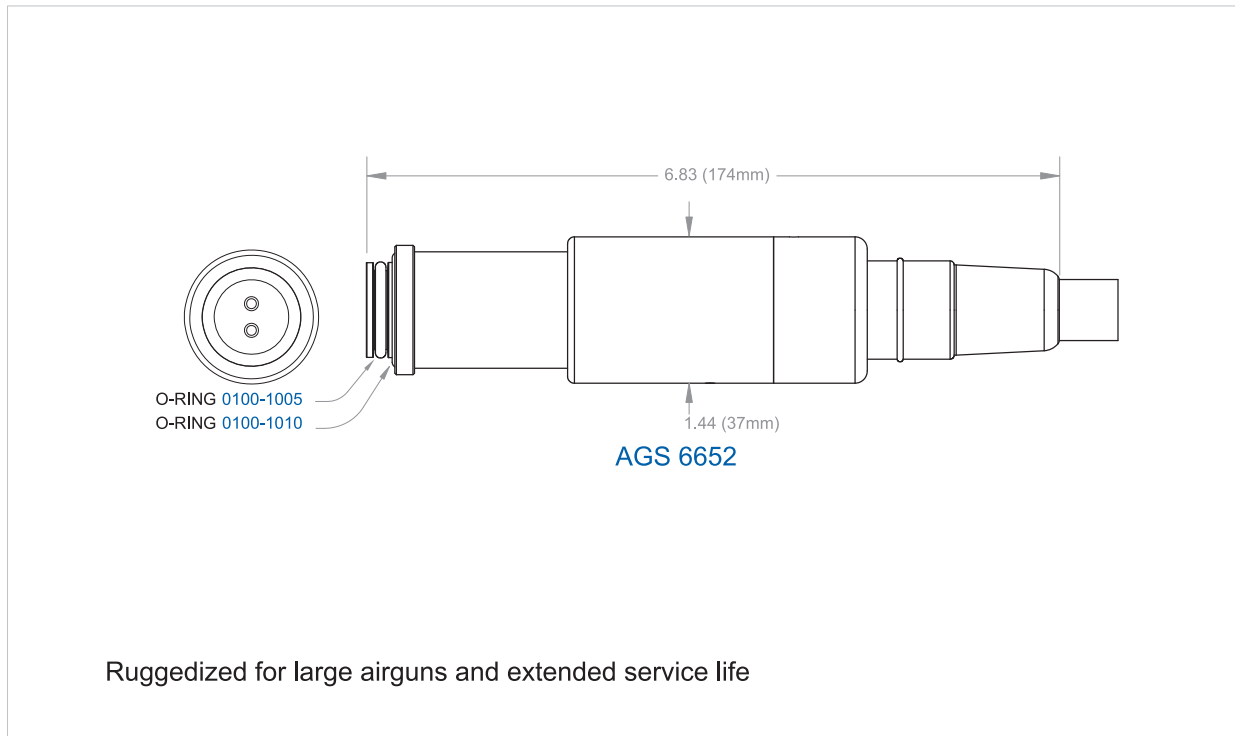




► 6000 Series

AGS Source Energy Connectors - SSI G & GI Air Gun

AGS 6652

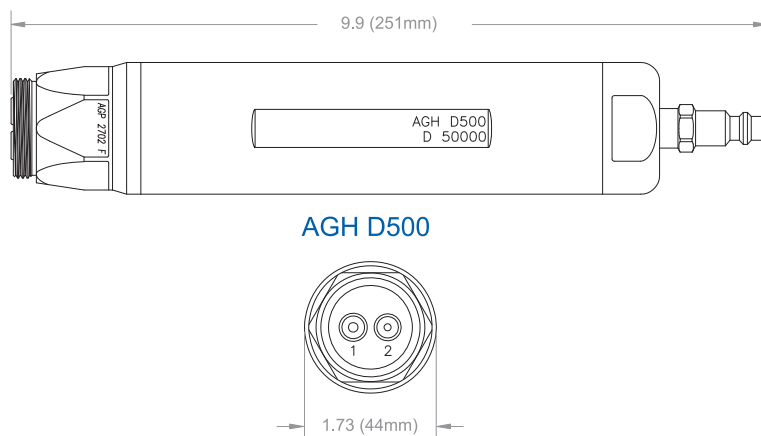




► 7000 Series

AGH Hydrophones - Gun Depth Transducer

AGH D500



AGH D500

Weight	4 lbs
Diameter	1 3/4"
Connector	AGP 2702 F Female Positive Bulkhead 1 1/16" St. Thread Style
Input	30 VDC Max.
Wiring	Pin 1+ → Pin 2-
Output	0 Mtrs (2KHZ) → 34 Mtrs (5.4 KHZ)
Scale	+1 HZ / CM
Accuracy	Calibrated to ± 10CM
Resolution	1 HZ
Operating Temperature	-10C / +60C



► 7000 Series

AGH Hydrophones - Gun Pressure Transducer

AGH P600

AGH P600

Weight	4 lbs
Diameter	1 3/4"
Connector	AGP 2702 F Female Positive Bulkhead 1 1/16" St. Thread Style
Input	30 VDC Max.
Wiring	Pin 1+ → Pin 2-
Output	0 PSI (2KHZ) → 3000 PSI (5 KHZ)
Scale	+1 HZ / PSI
Accuracy	Calibrated to ± 10 PSI
Resolution	1 HZ
Operating Temperature	-10C / +60C
Thread	1/4 NPT

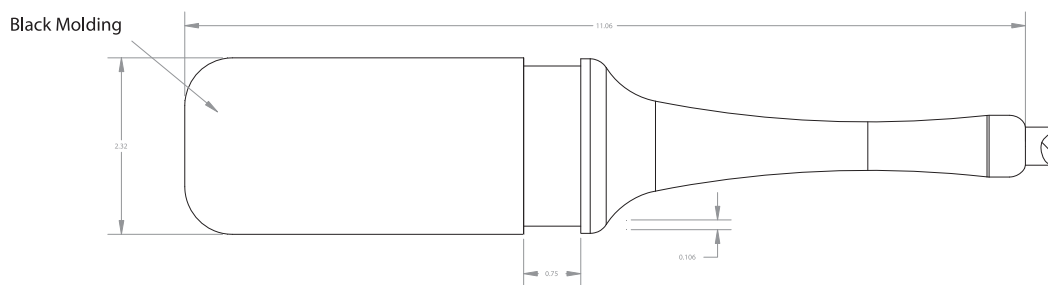




► 7000 Series

AGH Hydrophones - Marine Source

AGH 7100C

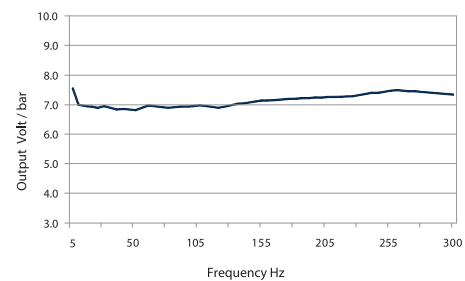


AGH 7100 C (DIRECT WIRED)

The AG Geophysical energy source hydrophone is a rugged, high-pressure hydrophone intended especially for marine applications in a high shock environment.

Its primary use is with seismic source firing and control systems where the hydrophone is operating in close proximity to, or in the high pressure explosive force field of a seismic source.

The AGH 7100 Series is neither calibrated nor characterized. The graph represents a typical output for the AGH 7100C hydrophone.

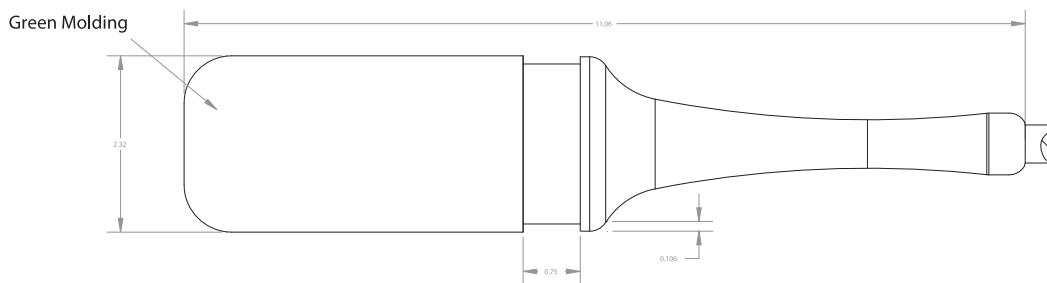




► 7000 Series

AGH Hydrophones - Marine Source

AGH 7100T

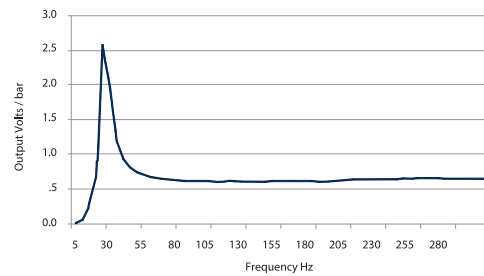


AGH 7100 T (TRANSFORMER COUPLED)

The AG Geophysical energy source hydrophone is a rugged, high-pressure hydrophone intended especially for marine applications in a high shock environment.

Its primary use is with seismic source firing and control systems where the hydrophone is operating in close proximity to, or in the high pressure explosive force field of a seismic source.

The AGH 7100 Series is neither calibrated nor characterized. The graph represents a typical output for an AGH 7100T hydrophone.





► 7000 Series

AGH Hydrophones - Marine Source

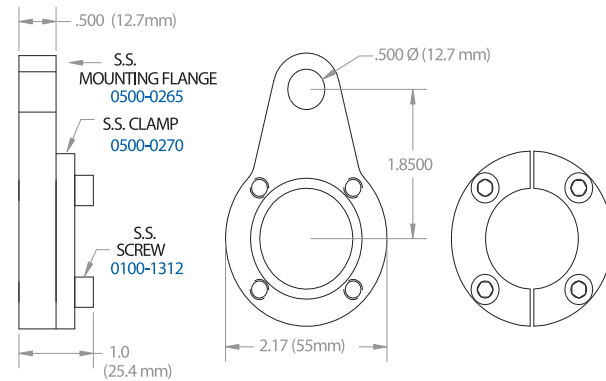
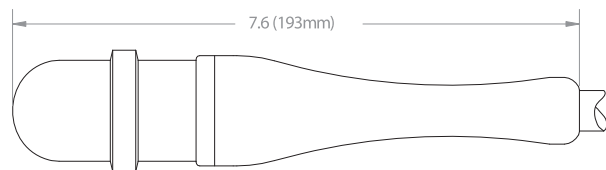
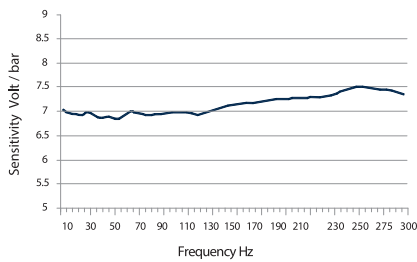
AGH 7720C

AGH 7720 C

The AG Geophysical energy source hydrophone is a rugged, high-pressure hydrophone intended especially for marine applications in a high shock environment.

Its primary use is with seismic source firing and control systems where the hydrophone is operating in close proximity to, or in the high pressure explosive force field of a seismic source.

The AGH 7720C is neither calibrated nor characterized. The graph represents a typical output for an AGH 7720C hydrophone.

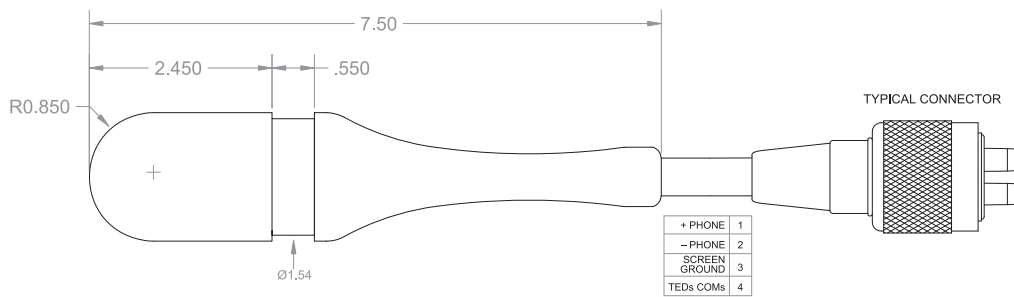




► 7000 Series

AGH Hydrophones - Marine Source Calibrated

AGH 7500C

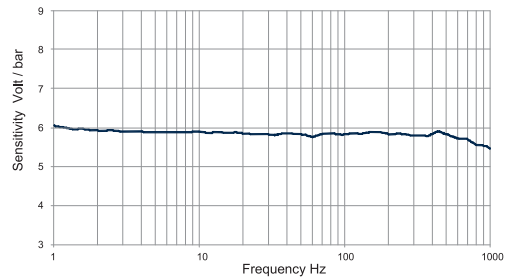


AGH 7500 C

The AGH 7500C SmartPhone™ was developed specifically to meet the need for a calibrated near-field hydrophone.

Each phone is characterized against a reference and the derived data is stored in a TEDs chip within the hydrophone assembly.

The graph represents a typical output for an AGH 7500C hydrophone.

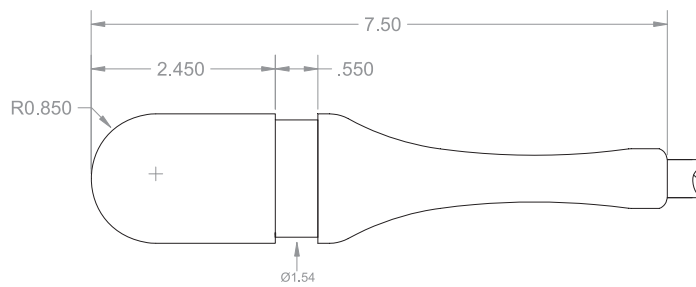




► 7000 Series

AGH Hydrophones - Marine Source Calibrated

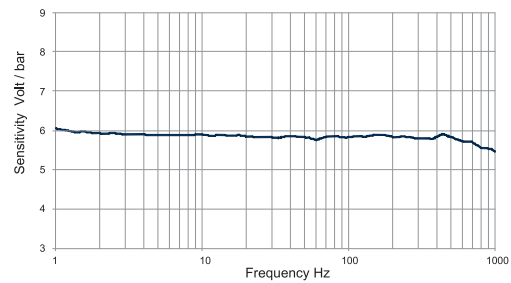
AGH 7500X



AGH 7500 X

The AGH 7500X is a calibrated hydrophone. Each phone is characterized against a reference.

The graph represents a typical output for an AGH 7500X hydrophone.

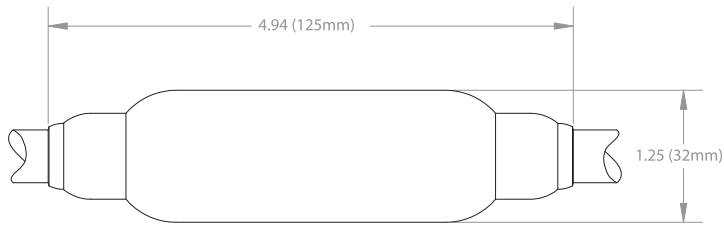




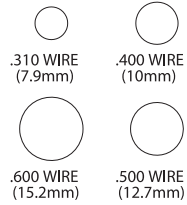
► 8000 Series

AGT Terminations - Water Blocked Inline Splice

AGT 8100



AGT 8100



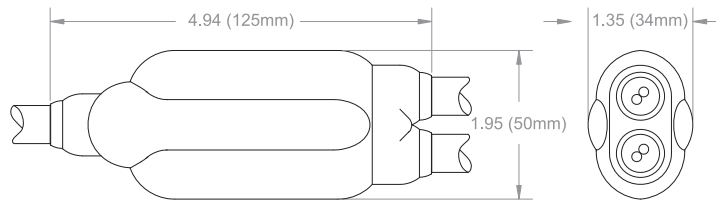
Catalog ID	Cable O.D. In	Cable O.D. Out
AGT 8103- 3	.310	.310
AGT 8103- 4	.310	.400
AGT 8103- 5	.310	.500
AGT 8103- 6	.310	.600
AGT 8104- 3	.400	.310
AGT 8104- 4	.400	.400
AGT 8104- 5	.400	.500
AGT 8104- 6	.400	.600
AGT 8105- 3	.500	.310
AGT 8105- 4	.500	.400
AGT 8105- 5	.500	.500
AGT 8105- 6	.500	.600
AGT 8106- 3	.600	.310
AGT 8106- 4	.600	.400
AGT 8106- 5	.600	.500
AGT 8106- 6	.600	.600



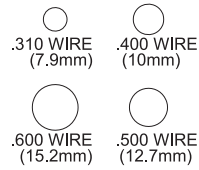
► 8000 Series

AGT Terminations - Water Blocked Inline Y-Takeout

AGT 8200



AGT 8200



Catalog ID	Cable O.D. In	Cable O.D. Out
AGT 8233-3	.310	.310 X .310
AGT 8234-4	.310	.400 X .400
AGT 8235-5	.310	.500 X .500
AGT 8236-6	.310	.600 X .600
AGT 8243-3	.400	.310 X .310
AGT 8244-4	.400	.400 X .400
AGT 8245-5	.400	.500 X .500
AGT 8246-6	.400	.600 X .600
AGT 8253-3	.500	.310 X .310
AGT 8254-4	.500	.400 X .400
AGT 8255-5	.500	.500 X .500
AGT 8256-6	.500	.600 X .600
AGT 8263-3	.600	.310 X .310
AGT 8264-4	.600	.400 X .400
AGT 8265-5	.600	.500 X .500
AGT 8266-6	.600	.600 X .600





► **8000 Series**

AGT Terminations - Water Blocked Inline Y-Drop

AGT 8300

AGT 8300

Catalog ID	Cable O.D. In	Cable O.D. Out	Cable O.D. Drop
AGT 8366-5	.600	.600	.500
AGT 8388-6	.800	.800	.600

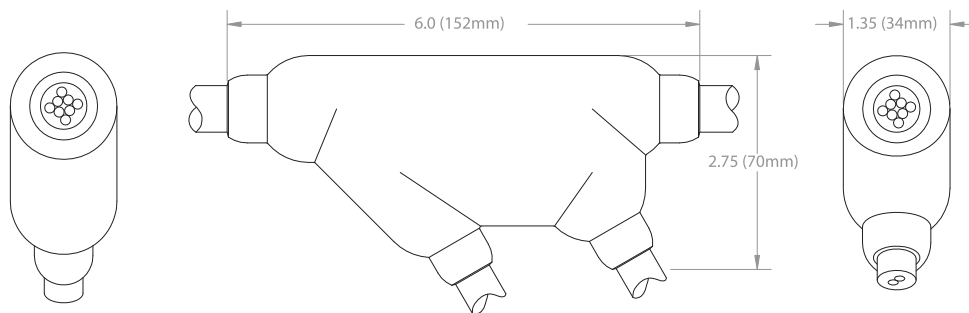




► 8000 Series

AGT Terminations - Water Blocked Inline Double-Drop

AGTD 8300



AGTD 8300

Catalog ID	Cable O.D. In	Cable O.D. Out	Cable O.D. Drop-1	Cable O.D. Drop-2
AGTD 8366-55	.600	.600	.500	.500

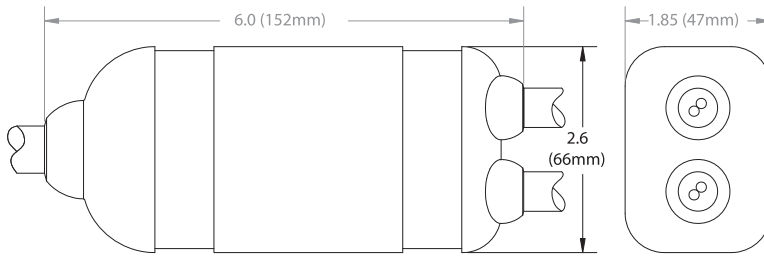




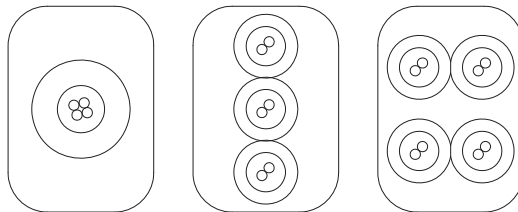
► **8000 Series**

AGT Terminations - Water Blocked Inline Heavy Duty Takeout

AGT 8400



AGT 8400



Catalog ID	Cable O.D. In	Cable O.D. Out
AGT 84 52-5	.500	2 X .500
AGT 84 52-6	.500	2 X .600
AGT 84 53-4	.500	3 X .400
AGT 84 53-5	.500	3 X .500
AGT 84 54-4	.500	4 X .400
AGT 84 54-5	.500	4 X .500
AGT 84 62-5	.600	2 X .500
AGT 84 62-6	.600	2 X .600
AGT 84 63-4	.600	3 X .400
AGT 84 63-5	.600	3 X .500
AGT 84 64-4	.600	4 X .400
AGT 84 64-5	.600	4 X .500
AGT 84 92-5	.900	2 X .500
AGT 84 92-6	.900	2 X .600
AGT 84 93-4	.900	3 X .400
AGT 84 93-5	.900	3 X .500
AGT 84 94-4	.900	4 X .400
AGT 84 94-5	.900	4 X .500

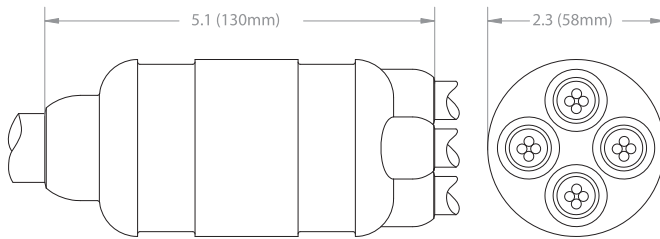


► 8000 Series

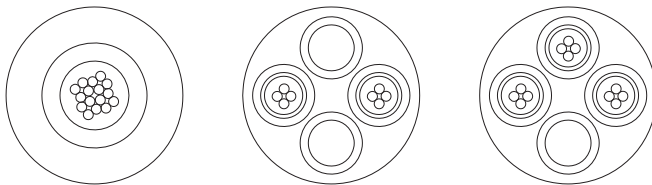
AGT Terminations - Water Blocked Inline Heavy Duty Takeout

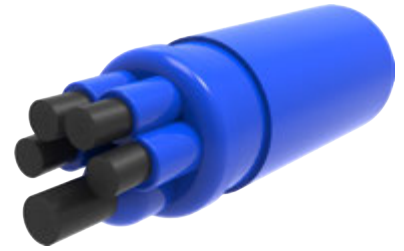
AGTR 8400

Catalog ID	Cable O.D. In	Cable O.D. Out
AGTR 84 2-5	.500	2 X .500
AGTR 84 52-6	.500	2 X .600
AGTR 84 53-4	.500	3 X .400
AGTR 84 53-5	.500	3 X .500
AGTR 84 54-4	.500	4 X .400
AGTR 84 54-5	.500	4 X .500
AGTR 84 62-5	.600	2 X .500
AGTR 84 62-6	.600	2 X .600
AGTR 84 63-4	.600	3 X .400
AGTR 84 63-5	.600	3 X .500
AGTR 84 64-4	.600	4 X .400
AGTR 84 64-5	.600	4 X .500
AGTR 84 92-5	.900	2 X .500
AGTR 84 92-6	.900	2 X .600
AGTR 84 93-4	.900	3 X .400
AGTR 84 93-5	.900	3 X .500
AGTR 84 94-4	.900	4 X .400
AGTR 84 94-5	.900	4 X .500



AGTR 8400

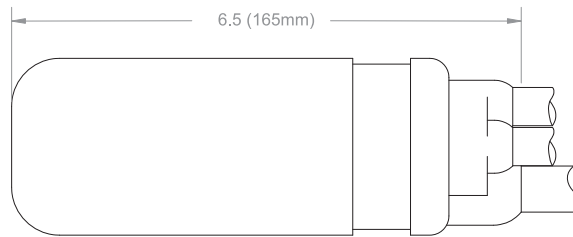




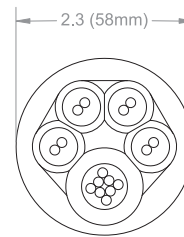
► **8000 Series**

AGT Terminations - Water Blocked Inline Penta Splice

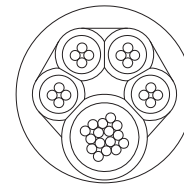
AGT 8500



AGT 8500



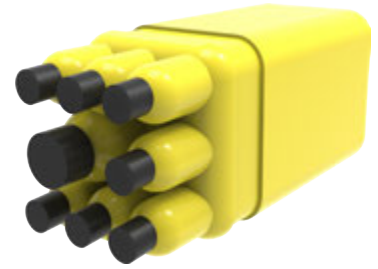
AGT 8564-5



AGT 8594-5

Catalog ID	Cable O.D. In	4 Cables O.D. Out
AGT 8564-5	.600	4 X .500
AGT 8594-5	.900	4 X .500

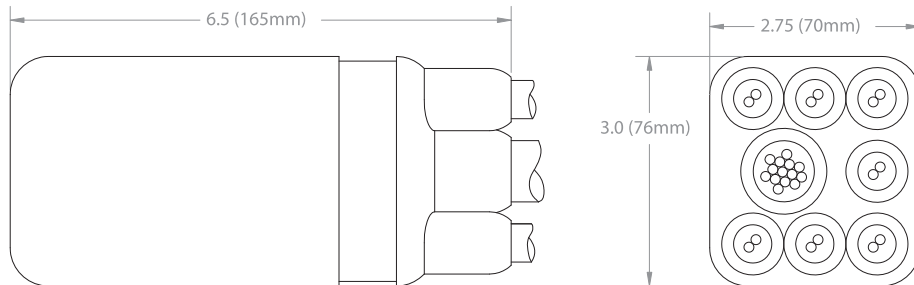




► 8000 Series

AGT Terminations - Water Blocked Heavy Duty Splice

AGT 8687-5



AGT 8687-5

Catalog ID	Cable O.D. In	Cables O.D. Out
AGT 8687-5	.800	Qty X .500 (Qty 2 to 7)

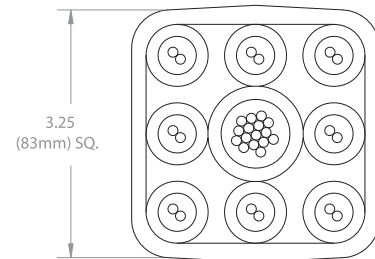
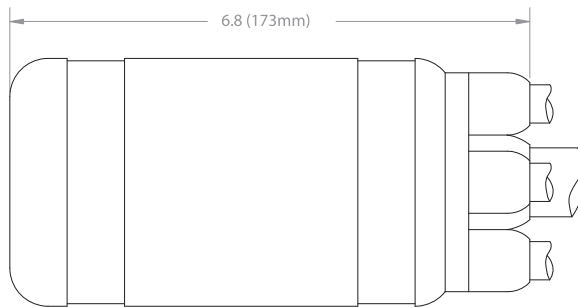




▶ **8000 Series**

AGT Terminations - Water Blocked Heavy Duty Splice

AGT 8798-5



AGT 8798-5

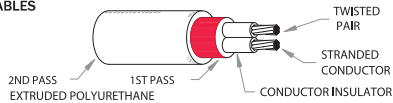
Catalog ID	Cable O.D. In	Cables O.D. Out
AGT 8798-5	.900	Qty X .500 (Qty 2 to 8)



► 9000 Series

AGC Cable - Electrical

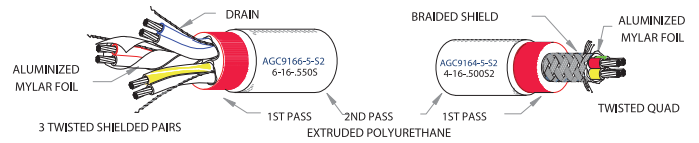
STANDARD CABLES



Catalog ID	Awg	# Conductors	Twist	Stranding Material	O.D. (IN./MM)	Max Ohms /1000' @20° C	Lbs /1000'
AGC 9102-5 2-10-.500	10	2	Twisted Pair	7x17/32 Tinned Copper Clad Steel	0.500 12.7	4.1	151
AGC 9104-6 4-10-.600	10	4	Twisted Quad	7x17/32 Tinned Copper Clad Steel	0.600 15.2	4.1	196
AGC 9112-4 2-11-.450	11	2	Twisted Pair	7x7/30 Tinned Copper Clad Steel	0.450 11.4	6.3	100
AGC 9112-5 2-11-.500	11	2	Twisted Pair	7x7/30 Tinned Copper Clad Steel	0.500 12.7	6.3	118
AGC 9114-5 4-11-.500	11	4	Twisted Quad	7x7/30 Tinned Copper Clad Steel	0.500 12.7	6.3	140
AGC 9162-3 2-16-.310	16	2	Twisted Pair	7x6/32 Tinned Bronze Alloy	0.310 7.87	5.3	52
* AGC 9162-4 2-16-.400/390	16	2	Twisted Pair	7x6/32 Tinned Bronze Alloy	0.390 10.0	5.3	76
AGC 9162-5 2-16-.500	16	2	Twisted Pair	7x6/32 Tinned Bronze Alloy	0.500 12.7	5.3	111
* AGC 9164-4 4-16-.400/390	16	4	Twisted Quad	7x6/32 Tinned Bronze Alloy	0.390 10.0	5.3	86
AGC 9164-5 4-16-.500	16	4	Twisted Quad	7x6/32 Tinned Bronze Alloy	0.500 12.7	5.3	125
AGC 9168-6 8-16-.600	16	8	4 Twisted Pairs	7x6/32 Tinned Bronze Alloy	0.600 15.2	5.3	183
AGC 916X-8 14-16-.800	16	14	6 Twisted Prs About Ctr Pr	7x6/32 Tinned Bronze Alloy	0.800 20.3	5.3	305
AGC 916X-9 16-16-.900	16	16	7 Twisted Prs About Ctr Pr	7x6/32 Tinned Bronze Alloy	0.900 22.86	5.3	386

* Available Filled

SHIELDED CABLES



Catalog ID	Awg	# Conductors	Twist	Stranding Material	O.D. (IN./MM)	Coverage	Max Ohms /1000' @20° C	Lbs /1000'
AGC 9164-5-52 4-16-.500S2	16	4	Twisted Shielded Quad	7x6/32 Tinned Bronze Alloy	0.500 12.7	100% Shield 50% Foil 80% Braid	5.3	126

COAXIAL CABLES

Catalog ID	Impedance (OHMS)	Industry Equivalent	O.D. (IN./MM)	Capacitance (pF/ft)	Lbs/1000'
AGC 950-LMR4/5C	50	LMR400	0.500 12.7	23.9	175
AGC 950-213C	50	RG-213	0.500 12.7	30.8	138
AGC 950-58C	50	RG-58	0.375 9.5	30.8	69
AGC 975-59C	75	RG-59	0.445 11.3	21.0	34

EXTERIOR ARMOR CABLES

Catalog ID	Awg	# Conductor	Twist	Stranding Material	O.D. (IN./MM)	Max Ohms /1000' @ 20°C	Lbs /1000'
AGC 9168-6 8-16-1050A2	16	8	4 Twisted Pairs	7x6/32 Tinned Bronze Alloy	0.600 15.2	5.3	943.7





CONSTANT USE AT > 6 AMPS CAN SHORT OUT CONDUCTOR

► **Miscellaneous Parts**

O-Rings and Set Screws

Catalog ID	For Part	Description
0100-1010	Bolt Air Guns	Small "O" Ring
0100-1005	Sercel G-Gun, GI-Gun, Water Gun	Large "O" Ring
0100-1040	Coax Inline	"O" Ring
0100-1042	Coax Bulkhead	"O" Ring
0100-1056	Coax Sealing Cap	"O" Ring
0100-1050	Flangemount Bulkhead Connector	"O" Ring
0100-1060	1 ¹ / ₁₆ " Straight Thread Bulkhead Connector	Small "O" Ring
0100-1055	1 ¹ / ₁₆ " Straight Thread Bulkhead Connector	Large "O" Ring
0100-1070	1 ⁵ / ₁₆ " Straight Thread Bulkhead Connector	Small "O" Ring
0100-1065	1 ⁵ / ₁₆ " Straight Thread Bulkhead Connector	Large "O" Ring
0100-1085	1 ⁵ / ₈ " Straight Thread Bulkhead Connector	Small "O" Ring
0100-1080	1 ⁵ / ₈ " Straight Thread Bulkhead Connector	Large "O" Ring
0100-1030	Sleeve Gun Timing Connector	"O" Ring
0100-1034	Sleeve Gun Timing/Firing Connector	"O" Ring
0100-1025	Sleeve Gun Firing Connector	"O" Ring
0100-1215	Sleeve Gun Firing Connector	10-32 Nylon Set Screw

► **Miscellaneous Parts**
Other

	Potting Cups	Application
	0200-0449	Bulkhead 2, 4 Pin
	0200-0447	Bulkhead 8 Pin
	0200-0445	Bulkhead 16 Pin
	Stainless Steel Caps	Application
	0300-0190	Bulkhead 2,4,8 Pin
	0300-0195	Bulkhead 16 Pin
	Washers	Application
	0300-0430	AGP-2702,4
	0300-0420	AGP-2708
	0300-0410	AGP-2716
	Nuts	Application
	0300-0530	AGP-2702,4
	0300-0520	AGP-2708
	0300-0510	AGP-2716



► **Miscellaneous Parts**

Field Installable Locking Ring Assemblies

					
SFI-STD-F	SFI-STD-M	SFI-MID-F * SFI-MIDBRZ-F	SFI-MID-M * SFI-MIDBRZ-M	* SFI-LGBRZ-F	* SFI-LGBRZ-M
Fits Connectors AGM 1002M AGM 1004M AGP 2002M AGP 2004M AGP 2008M	Fits Connectors AGM 1002F AGM 1004F AGP 2002F AGP 2004F AGP 2008F	Fits Connectors AGM 1102M AGM 1104M AGP 2102M AGP 2104M AGP 2108M	Fits Connectors AGM 1102F AGM 1104F AGP 2102F AGP 2104F AGP 2108F	Fits Connector AGP 2116M	Fits Connector AGP 2116F
					* ASTM 3150 C63000



Important Lube Information

Before Shipment

AG connectors are lightly sprayed with aerosol non-water-soluble silicone lubricant in preparation for the first connection.

For subsequent matings

The connectors should be cleaned to remove any contamination and silicone buildup, then re-lubricated. This procedure will insure correct mating as well as prolonged connector life

DO NOT use WD40, CRC, or any other solvents



DO NOT use DC 111 or any other heavy silicone greases



APPROVED ✓



ECG RX2200
10 oz. Aerosol (**AG Part #0160-0232**)
NTE Electronics, Inc.
44 Farrand St.
Bloomfield, NJ 07003
(800) 631-1250

APPROVED ✓



3M Silicone Spray #62-4678-7930-3
13.25 oz. Aerosol (**AG Part #0160-0230**)

APPROVED ✓



Dow Corning DC200
1-gallon bulk (non-aerosol) (**AG Part #0160-0234**)
(also supplied as Krayden PMX-200GL10B)
end user must supply spray apparatus



Mating of locking rings should be done by **hand** only

Use of wrench or pliers

can cause thread damage and lead to failure of the locking rings.

For trouble-free service


use a light machine oil or dielectric anti-seize product to lubricate **only the threaded** portion of the stainless steel locking rings.

Note: slower mating of stainless on stainless will reduce galling - mate slowly!!!


approved by  **Loctite White Hi-Temp Anti-Seize # 34517**
 (8 oz) (A-G Part #xxxx-xxxx) / # 34518 (16 oz) (A-G Part #xxxx-xxxx)



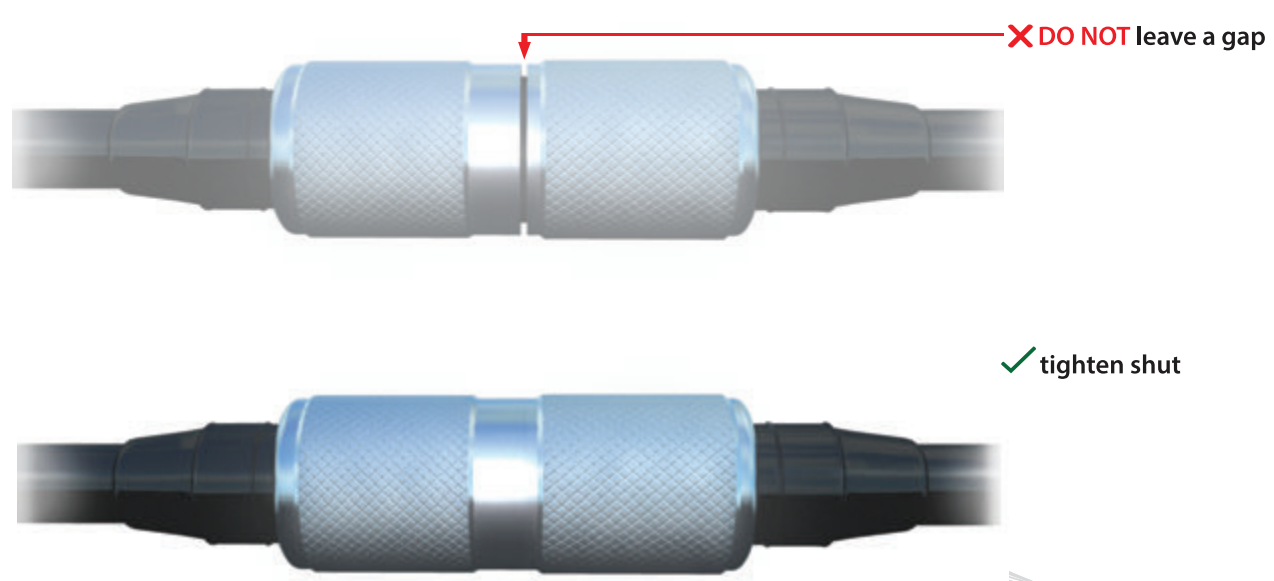
✗ DO NOT bend or twist



✓ Pull straight across connectors...



✓ or anchor with foot and pull **straight up**.



STANDARD SPECIFICATION FOR AG CONNECTORS

The following specifications are applicable to the following series of connectors when properly mated to AG branded connectors listed in this specification:

-AGM
-AGMU
-AGP
-AGPU

Environmental

Depth: 300 PSI equivalent (when fully and properly mated)
Operational Temperature: 20° F - 158°F

Performance

Mates / Demates: 100
Voltage Rating: 1500 VDC
Current: 8 amps DC maximum
Contact Resistance (mated): 100mΩ maximum
(measured in accordance with procedure EIA-364-06C)

Vibration: 1000g peak
Isolation: 500mΩ at 500 VDC
(when measured pin-to-pin or pin-to-shell)

Mechanical

Tensile: 500 lbs axial pull

*Specifications are for reference only and may change with and without notice.
Please contact the factory for the most current design specifications.





TELEDYNE
AG GEOPHYSICAL PRODUCTS
Everywhereyoulook™

Specifications subject to change without notice.
© 2016 AG Geophysical. All rights reserved.

Teledyne AG Geophysical

14880 Skinner Rd., Cypress, TX 77429

Tel. +1-281-373-5952 • Fax +1-281-373-3632 • E-mail: ag.sales@teledyne.com

www.aggeophysical.com

A Teledyne Marine Company