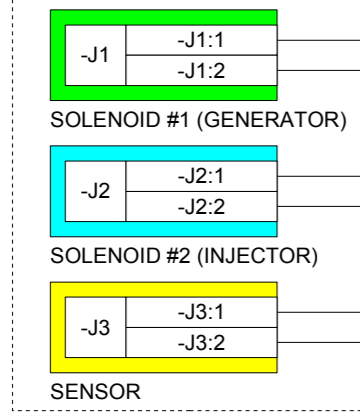
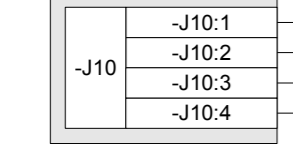


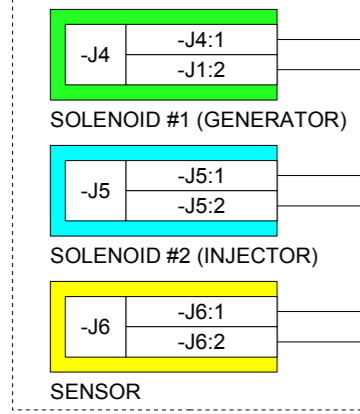
GI-GUN NO. 1



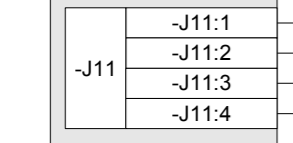
BOLT AIRGUN NO. 1



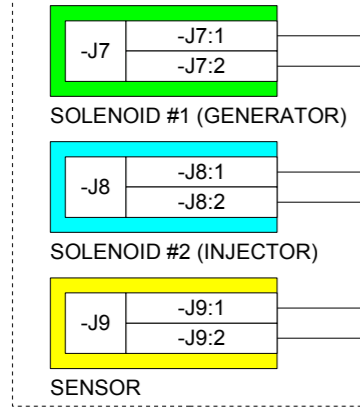
GI-GUN NO. 2



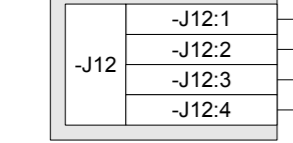
BOLT AIRGUN NO. 2



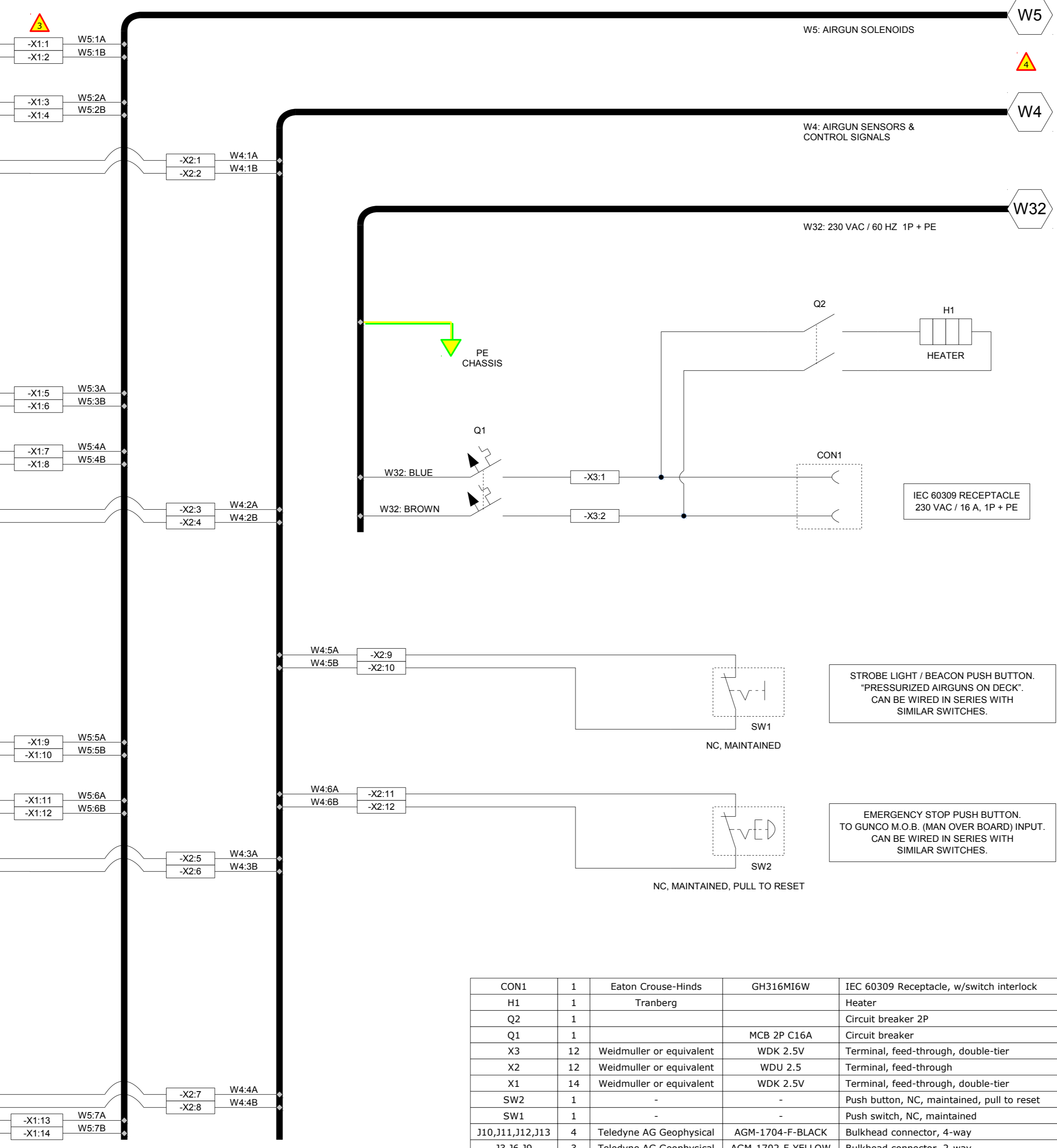
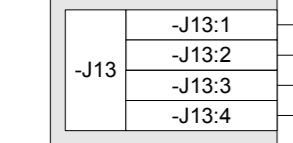
GI-GUN NO. 3



BOLT AIRGUN NO. 3



BOLT AIRGUN NO. 4



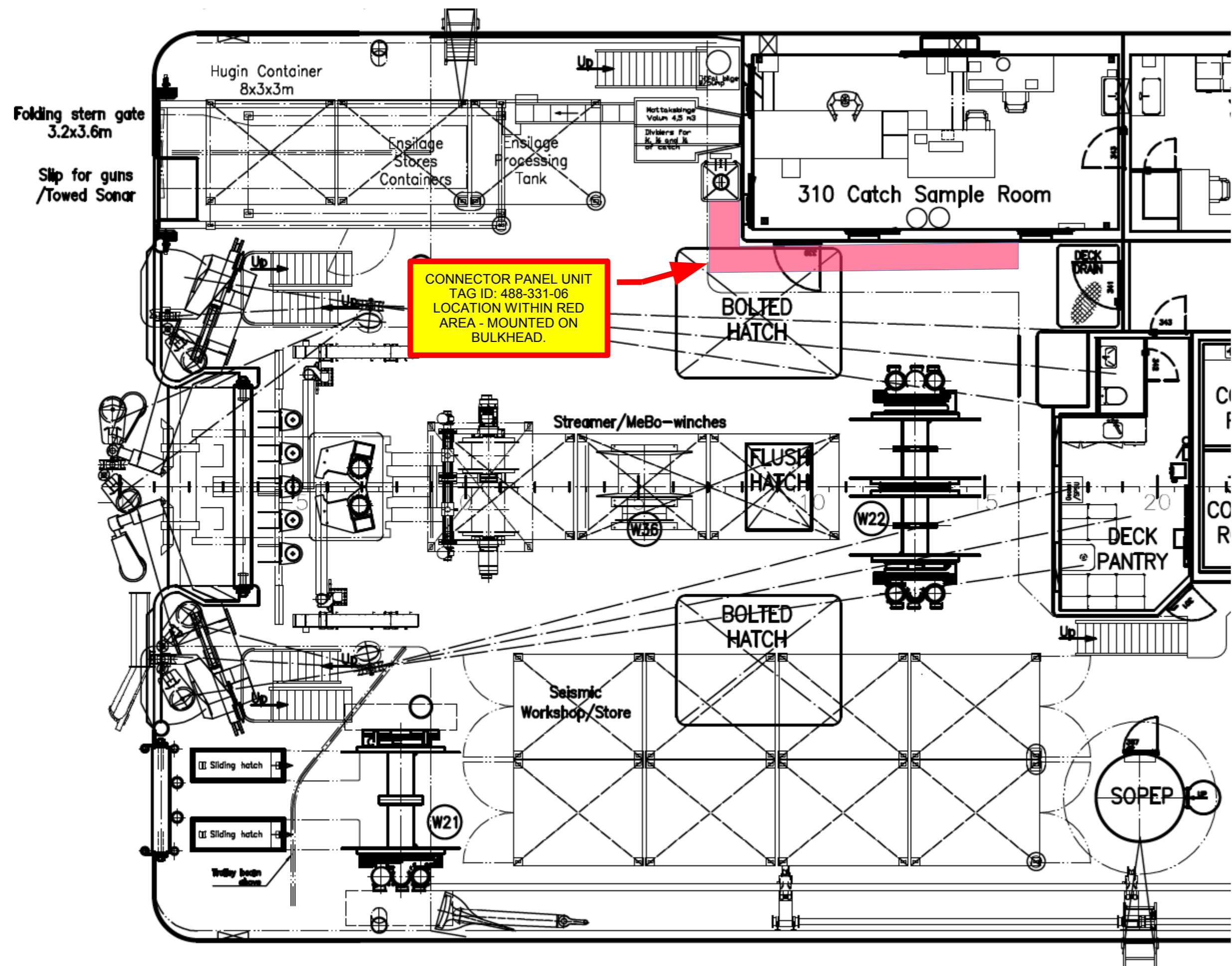
DRAFT
DO NOT USE IN PRODUCTION

- ⚠ All GI-Gun bulkhead connectors:
 * Mfr: Teledyne AG Geophysical
 * Mod.: AGM-1702-F
 * Colors as indicated
 * Order pre-terminated, soldered & potted, with AWG14 or AWG16 multi-strand wire.
- ⚠ All Bolt type airgun bulkhead connectors:
 * Mfr: Teledyne AG Geophysical
 * Mod.: AGM-1704-F
 * Color: Black
 * Order pre-terminated, soldered & potted, with AWG14 or AWG16 multi-strand wire.
- ⚠ Use feed-through, double-tier terminals as appropriate.
- ⚠ S4 and S5 are screened twisted pair cables. All drain wires to be terminated in ground bar.

ITEM	QTY	MFR / SUPPL	MODEL OR P/N	DESCRIPTION
CON1	1	Eaton Crouse-Hinds	GH316MI6W	IEC 60309 Receptacle, w/switch interlock
H1	1	Tranberg		Heater
Q2	1			Circuit breaker 2P
Q1	1		MCB 2P C16A	Circuit breaker
X3	12	Weidmuller or equivalent	WDK 2.5V	Terminal, feed-through, double-tier
X2	12	Weidmuller or equivalent	WDU 2.5	Terminal, feed-through
X1	14	Weidmuller or equivalent	WDK 2.5V	Terminal, feed-through, double-tier
SW2	1	-	-	Push button, NC, maintained, pull to reset
SW1	1	-	-	Push switch, NC, maintained
J10,J11,J12,J13	4	Teledyne AG Geophysical	AGM-1704-F-BLACK	Bulkhead connector, 4-way
J3,J6,J9	3	Teledyne AG Geophysical	AGM-1702-F-YELLOW	Bulkhead connector, 2-way
J2,J5,J8	3	Teledyne AG Geophysical	AGM-1702-F-GREEN	Bulkhead connector, 2-way
J1,J4,J7	3	Teledyne AG Geophysical	AGM-1702-F-BLUE	Bulkhead connector, 2-way

REV	DESCRIPTION	DATE / BY	APPL.
REVISIONS			
NVC395 POLAR, R/V "KRONPRINS HAAKON"			
SEISMIC INSTRUMENTATION Connector panel, 3rd deck, port side			DESIGN O.M.
			DRAWN O.M.
			CHK
			DATE 18 JAN 2016
UNIVERSITY OF BERGEN DEPARTMENT OF EARTH SCIENCE Allé gt. 41, N-5007 Bergen, Norway			PAGE 1 OF 2
CLASSIFICATION: UNC	APPROVED FOR RELEASE:	SIZE A2	
FILE NAME NVC395-no-488-331-06-airguns-3rd-deck-portside	LAST EDIT 18 JAN 2016		
DRAWING NO.: NVC395 - 488-331.06 - E - C - 001 - 01		A	
PROJECT NO.	UNIT NO.	DISCIPLINE CODE	DRAWING TYPE
SEQUENCE NO.	SHEET NO.	REV	

DRAFT
DO NOT USE IN PRODUCTION



CONNECTOR PANEL UNIT
TAG ID: 488-331-06
LOCATION WITHIN RED
AREA - MOUNTED ON
BULKHEAD.

Proposed location of connector panel unit tag no.: 488-331-06
GA drawing version: 08-6543-00-101-001-General_Arrangement_v7_44.pdf
O.M.
18 January 2016
Department of Earth Science, University of Bergen, Norway

REV	DESCRIPTION	DATE / BY	APPVL.			
REVISIONS						
NVC395 POLAR, R/V "KRONPRINS HAAKON"						
SEISMIC INSTRUMENTATION Connector panel, 3rd deck, port side		DESIGN	O.M.			
		DRAWN	O.M.			
		CHK				
		DATE	18 JAN 2016			
UNIVERSITY OF BERGEN DEPARTMENT OF EARTH SCIENCE Allé gt. 41, N-5007 Bergen, Norway		PAGE 2 OF 2				
		CLASSIFICATION: UNC	APPROVED FOR RELEASE:	SIZE	A2	
DRAWING NO.: NVC395 - 488-331.06 - E - C - 001 - 02		FILE NAME	NVC395-no-488-331_06-airguns-3rd-deck-portside	LAST EDIT	18 JAN 2016	
PROJECT NO.	UNIT NO.	DISCIPLINE CODE	DRAWING TYPE	SEQUENCE NO.	SHEET NO.	REV