

RS-232 TO RS-485 CONVERTER

USER'S GUIDE

SPECIFICATIONS:

This is a bi-directional interface converter for RS-232C and RS-422/RS-485 allowing the capability of multidrop, simplex and point-to-point operation.

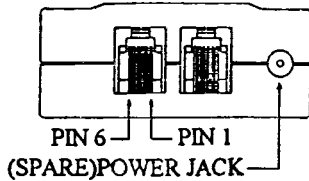
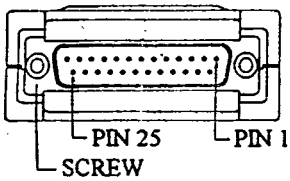
POWER SUPPLY	Power stealing from interface or 9 Volt DC 100mA Power adapter
DATA RATE	100K bps at 4000 feet
CONNECTOR	RS-232: DB-25 female RS-485: RJ-11 telephone jack
FUNCTION SWITCH	Full, Half duplex select switch
DRIVER ABILITY	Up to 32 drivers on the bus
ENCLOSURE	Plastic
WEIGHT	60 gm
DIMENSIONS	85x53x24mm

FUNCTIONS:

- NON POWER, Power stealing from interface
- Driver maintains high impedance when power off
- Asynchronous, half or full duplex mode
- Easy to install, just plug in and go
- Dual drivers DATA and BUSY
- Driver's output control by RTS
- Led to monitor DB-25 connector pin 2 (TXD) & pin 3 (RXD)
- Thermal shutdown protection

FRONT VIEW

REAR VIEW

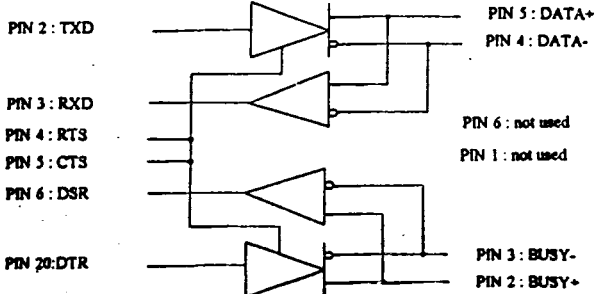


HALF DUPLEX MODE:

- Drivers output control by pin 4 (RTS)
- Busy come from pin 20 (DTR) and check by pin 6 (DSR)
- Pin 4 (RTS) loop back to pin 5 (CTS)

DB-25/FEMALE

RJ-11/TELEPHONE JACK

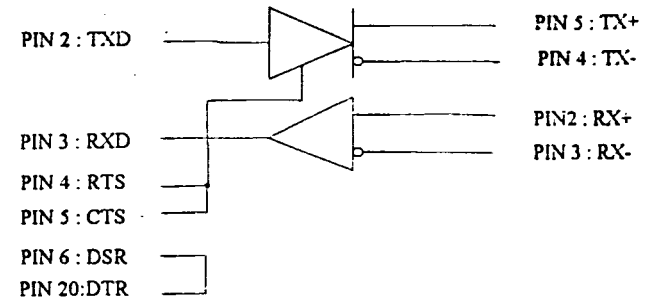


FULL DUPLEX MODE:

- Driver control by pin 4 (RTS)
- Pin 20 (DTR) loop back to pin 6 (DSR)
- Pin 4 (RTS) loop back to pin 5 (CTS)

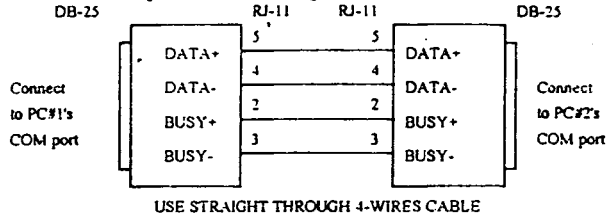
DB-25/FEMALE

RJ-11/TELEPHONE JACK

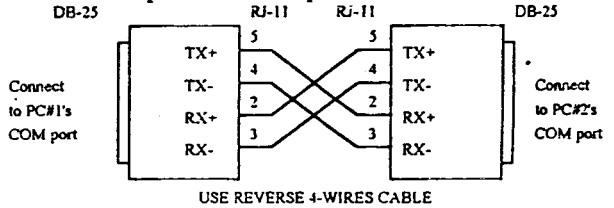


INSTALLATION:

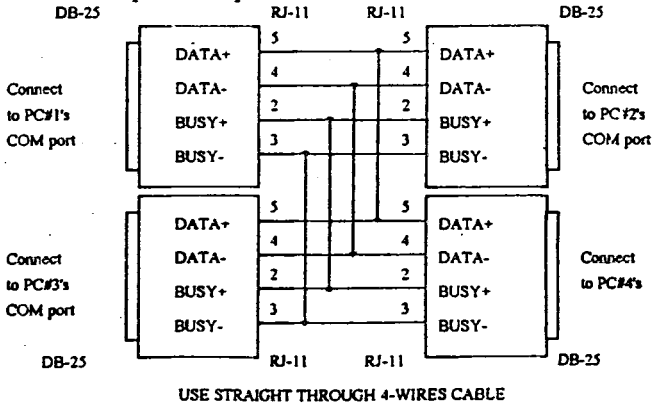
- Pointer-to-pointer/Half duplex:



- Pointer-to-pointer/Full duplex:

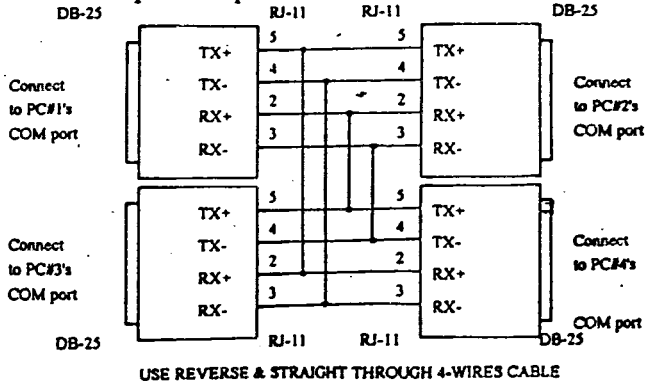


- Multi-drop/Half duplex:



NOTE: Only one stay talking on bus (RTS on) the others must keep silently (RTS off)

- Multi-drop/Full duplex:



NOTE: Only PC#1 & 2 can communicate with PC#3 & 4